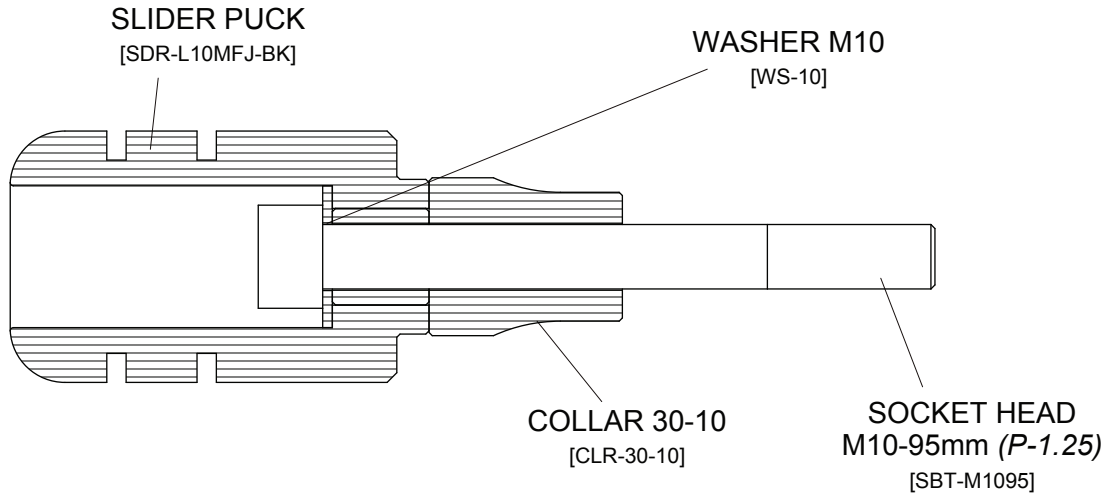




SUZUKI GSX-S750 '17- FRAME SLIDERS

part# S-S75017FS

(Both sides are the same)



Suggested Torque:

M10 bolt - 34 Nm / 22-25 lb ft