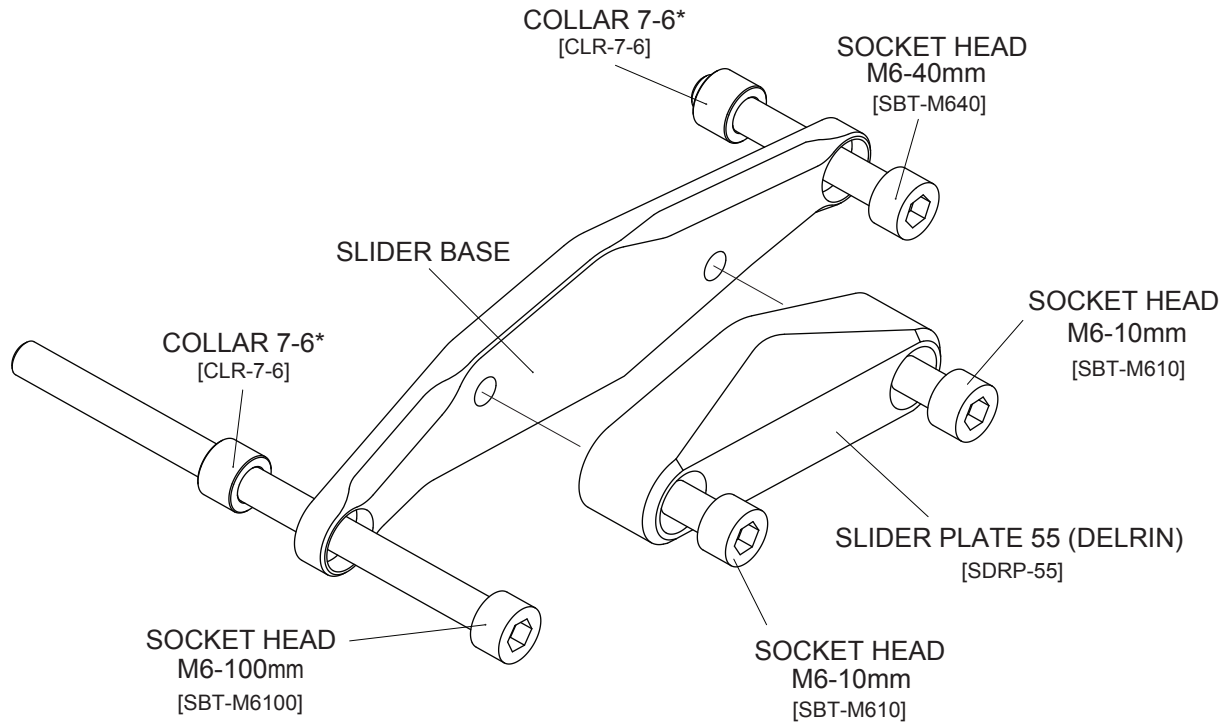




KTM RC8/ R  
**[R] ENGINE SLIDER**  
part# KTM-RC8ESR



\* For 2013 and up RC8R with the newer style clutch cover -  
For proper clearance, replace Collar 7-6 with Collar 12-6 (part# CLR-12-6)