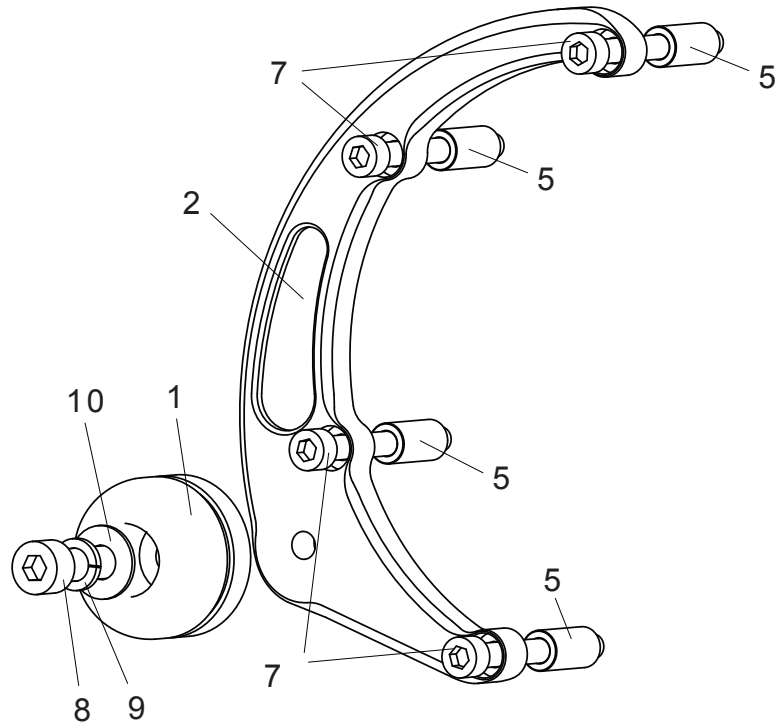
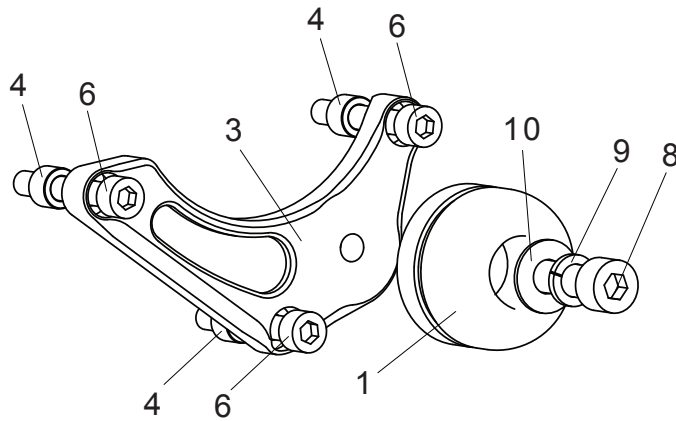


[L]



[R]



1. SLIDER PUCK [SDR-S8MFJ] x 2
2. SLIDER BASE [L]
3. SLIDER BASE [R]
4. COLLAR 7-6 [CLR-7-6] x 3
5. COLLAR 20-6 [CLR-20-6] x 4
6. SOCKET HEAD M6x40mm [SBT-M640] x 3
7. SOCKET HEAD M6x55mm [SBT-M655] x 4
8. SOCKET HEAD M8x25mm [SBT-M825] x 2
9. SPLIT WASHER M8 [SWS-8] x 2
10. WASHER M8 [WS-8] x 2