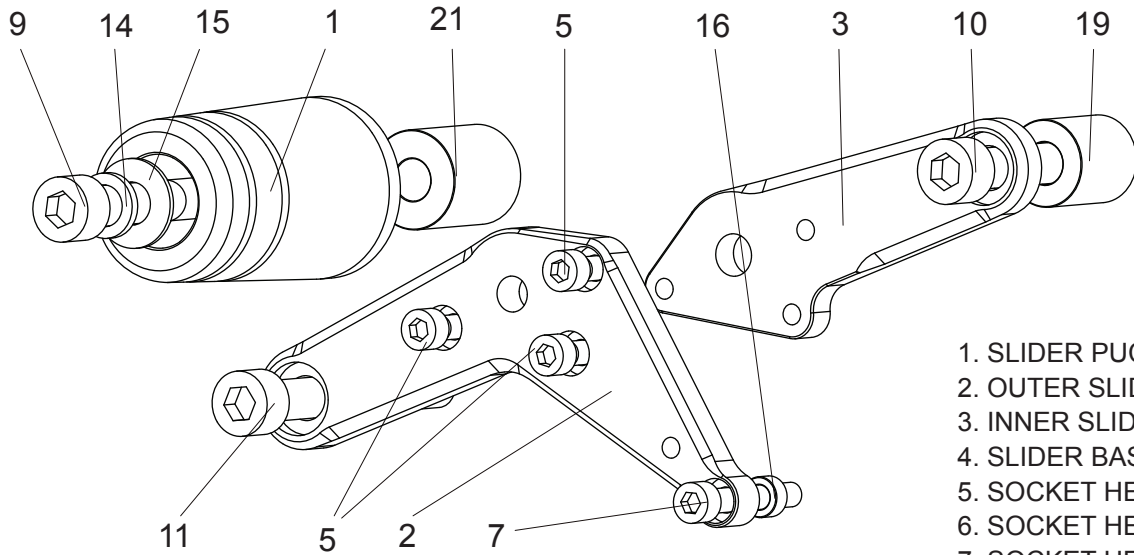


[L]



1. SLIDER PUCK [SDR-L10-85] x 2
2. OUTER SLIDER BASE L
3. INNER SLIDER BASE L
4. SLIDER BASE R
5. SOCKET HEAD M6 x 12mm x 3
6. SOCKET HEAD M6 x 25mm
7. SOCKET HEAD M6 x 40mm
8. SOCKET HEAD M10 x 45mm (P-1.25)
9. SOCKET HEAD M10 x 65mm (P-1.25)
10. SOCKET HEAD M10 x 70mm (P-1.25)
11. SOCKET HEAD M10 x 80mm (P-1.25)
12. SOCKET HEAD M10 x 100mm (P-1.25)
13. SOCKET HEAD M10 x 105mm (P-1.25)
14. SPLIT WASHER M10 x 2
15. WASHER M10 x 3
16. COLLAR 5-6
17. COLLAR 9-6
18. COLLAR 10-10 (BK)
19. COLLAR 25-10 (BK) x 2
20. COLLAR 32-10V (BK)
21. COLLAR 30-10 (BK)

[R]

