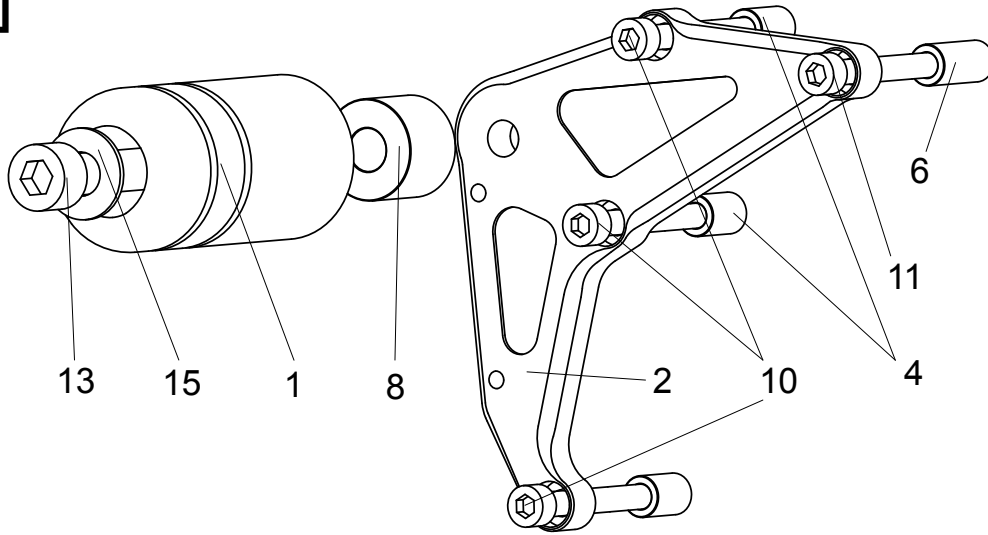
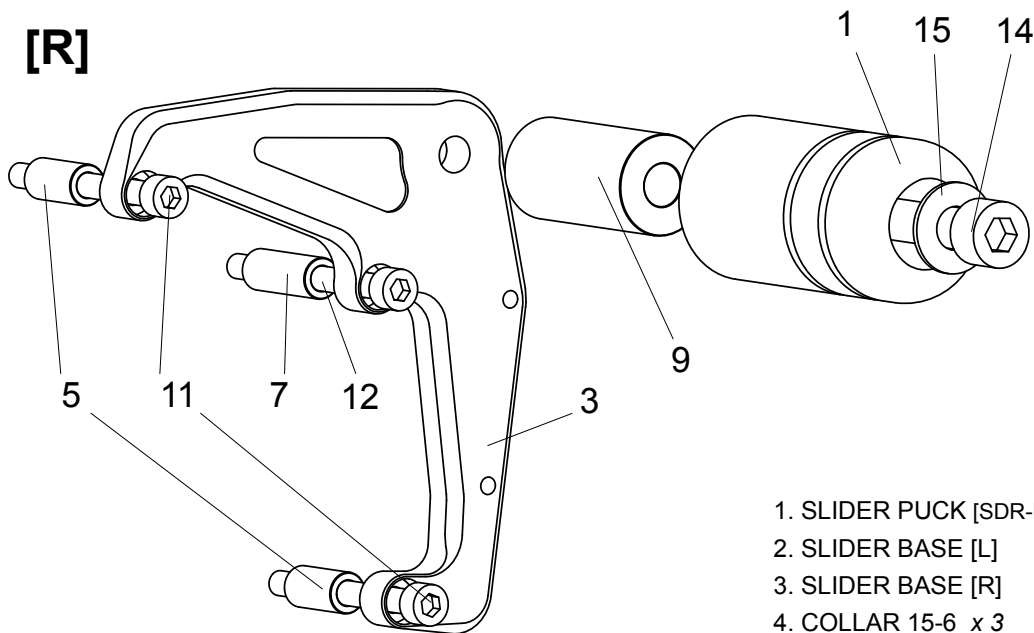


[L]



[R]



1. SLIDER PUCK [SDR-L10-85MFJ] x 2
2. SLIDER BASE [L]
3. SLIDER BASE [R]
4. COLLAR 15-6 x 3
5. COLLAR 20-6 x 2
6. COLLAR 22-6
7. COLLAR 27-6
8. COLLAR 30-10 (BK)
9. COLLAR 60-10 (BK)
10. SOCKET HEAD M6x55mm x 3
11. SOCKET HEAD M6x60mm x 3
12. SOCKET HEAD M6x65mm
13. SOCKET HEAD M10x60mm (P-1.25)
14. SOCKET HEAD M10x90mm (P-1.25)
15. WASHER M10 x 2