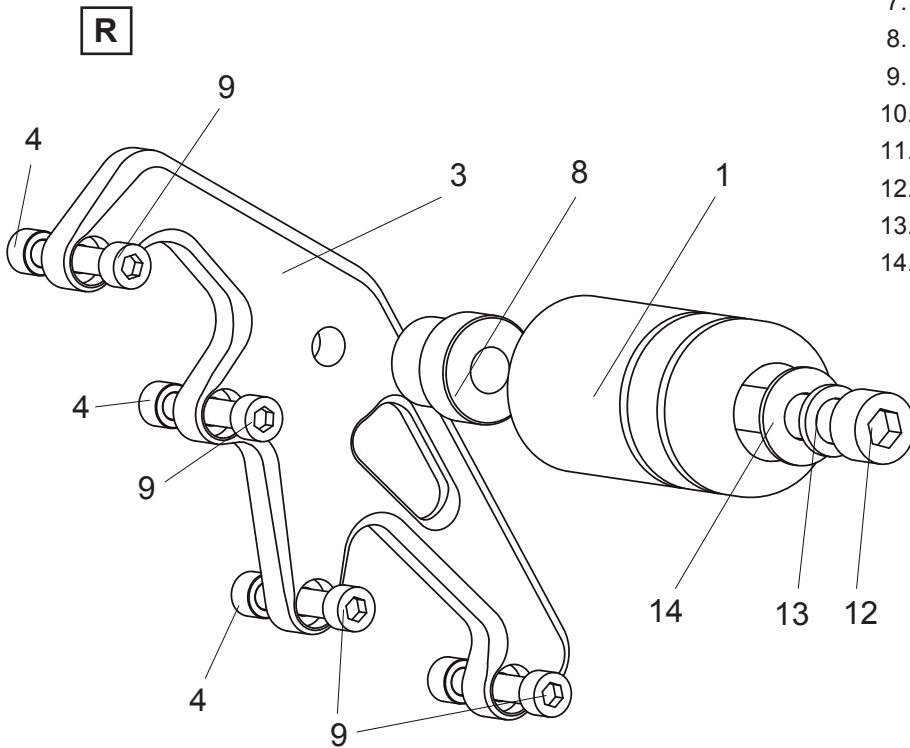


1. SLIDER PUCK [SDR-L10-85MFJ] x 2
2. SLIDER BASE [L]
3. SLIDER BASE [R]
4. COLLAR 7-6 [CLR-7-6] x 4
5. COLLAR 18-6 [CLR-18-6]
6. COLLAR 30-6 [CLR-30-6] x 3
7. COLLAR 22-10 [CLR-22-6]
8. COLLAR 25-10V [CLR-25V-10]
9. SOCKET HEAD M6×40mm [SBT-M640] x 4
10. SOCKET HEAD M6×60mm [SBT-M660] x 4
11. SOCKET HEAD M10×40mm (P-1.25) [SBT-M1040]
12. SOCKET HEAD M10×55mm (P-1.25) [SBT-M1055]
13. SPLIT WASHER M10 [SWS-10] x 2
14. WASHER M10 [WS-10] x 2



Suggested torque specifications;
M6 bolt - 10 Nm / 7-8 lb ft
M10 bolt - 34 Nm / 22-25 lb ft