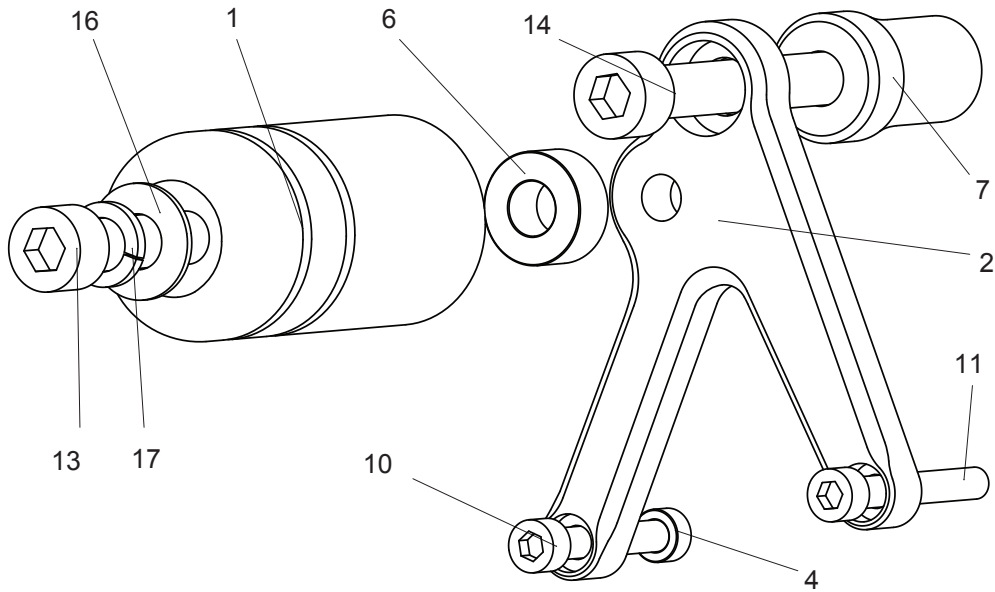
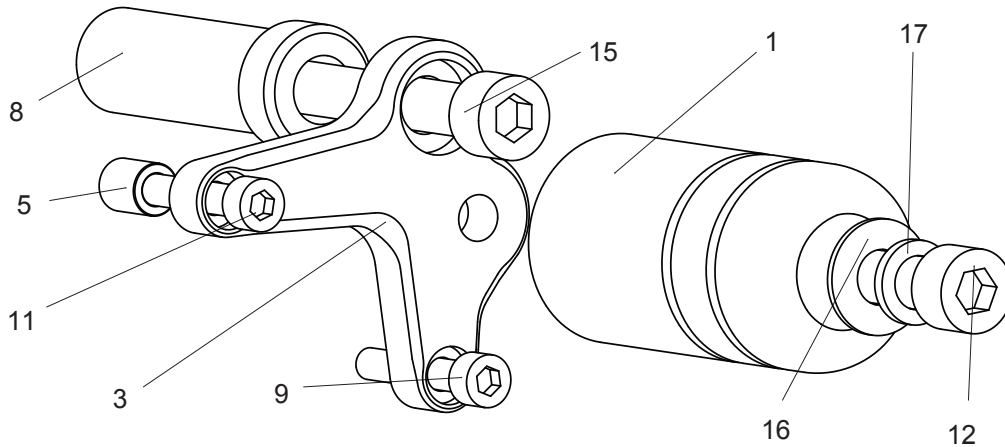


[L]



[R]



1. SLIDER PUCK [SDR-L10-85MFJ] x 2
2. SLIDER BASE [L] (BK)
3. SLIDER BASE [R] (BK)
4. COLLAR 5-6 [CLR-5-6]
5. COLLAR 12-6 [CLR-12-6]
6. COLLAR 10-10 (BK) [CLR-10-10]
7. COLLAR 42-10v (BK) [CLR-42-10]
8. COLLAR 70-10v (BK) [CLR-70-10]

9. SOCKET HEAD M6 x 35mm [SBT-M635]
10. SOCKET HEAD M6 x 40mm [SBT-M640]
11. SOCKET HEAD M6 x 45mm [SBT-M645] x 2
12. SOCKET HEAD M10 x 30mm (P-1.25) [SBT-M1030]
13. SOCKET HEAD M10 x 40mm (P-1.25) [SBT-M1040]
14. SOCKET HEAD M10 x 75mm (P-1.25) [SBT-M1075]
15. SOCKET HEAD M10 x 105mm (P-1.25) [SBT-M10105]
16. WASHER M10 [WS-10] x 2
17. SPLIT WASHER M10 [SWS-10] x 2