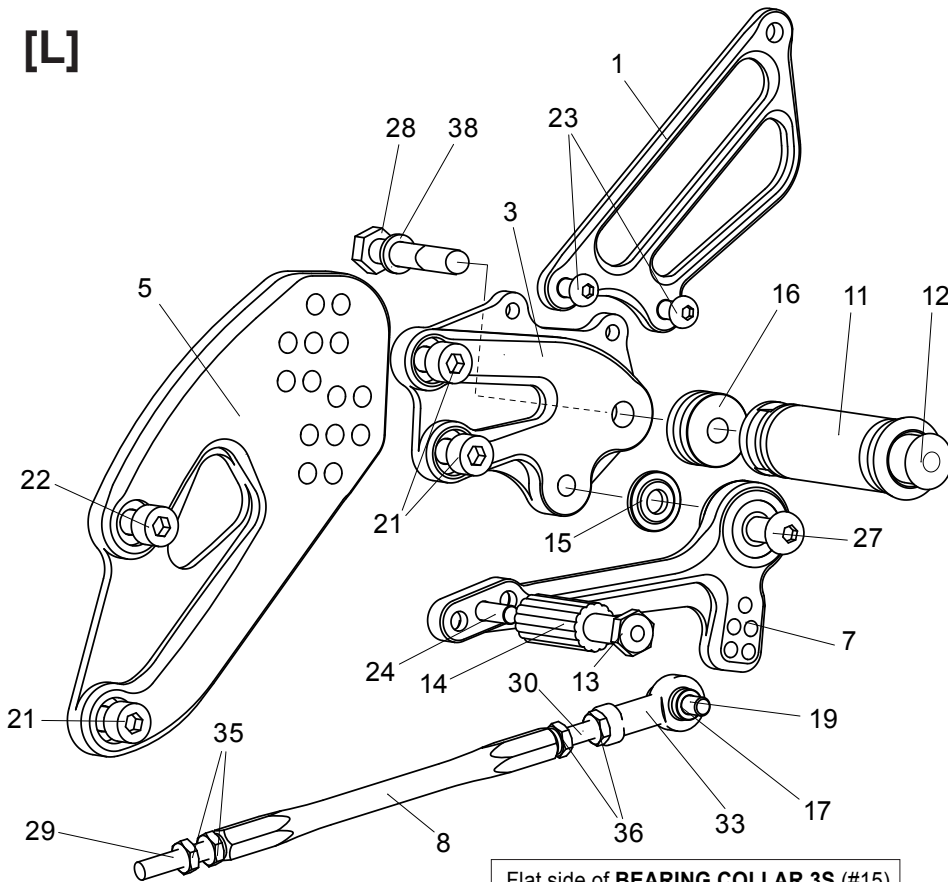


[L]



Flat side of **BEARING COLLAR 3S (#15)** should face (L) **STEP PLATE (#3)**, with the stepped side facing out toward pedal bearing.

1. (L) HEEL GUARD [HG-2L]
2. (R) HEEL GUARD [HG-9R]
3. (L) STEP PLATE [K-ZX613SP-L]
4. (R) STEP PLATE [S-GSX109RCSP-R]
5. (L) BASE PLATE (BK) [Y-R3RCBP-LB]
6. (R) BASE PLATE (BK) [Y-R3RCBP-RB]
7. SHIFT PEDAL [SPD-0912]
8. SHIFT ROD 135 (BK) [SRD-135B]
9. MASTER STAY [Y-R3RCMS]
10. BRAKE PEDAL [BPD165-30]
11. FOOT PEG [PEG] x 2
12. FOOT PEG END CAP [ST-002] x 2
13. PEDAL TIP (ALUM)(GD) [ST-001RG] x 2
14. RUBBER SLEEVE [ST-001R-SL] x 2
15. BEARING COLLAR 3S(BK) [PEGBGCLR-3SB]
16. PEG COLLAR 12 (GD) [PEGCLR-12] x 2
17. ROD END COLLAR 3 (GD) [RDED-CLR3]
18. COLLAR 12-6 (BK) [RDED-CLR12]
19. SOCKET HEAD M6x20mm [SBT-M620]
20. SOCKET HEAD M6x40mm [SBT-M640]
21. SOCKET HEAD M8x15mm [SBT-M815] x 5
22. SOCKET HEAD M8x20mm [SBT-M820] x 3
23. BUTTON HEAD M6x10mm [BBT-M610] x 2
24. BUTTON HEAD M6x20mm [BBT-M620] x 2
25. BUTTON HEAD M8x20mm [BBT-M820] x 2
26. BUTTON HEAD M8x25mm [BBT-M825]
27. BUTTON HEAD M8x30mm [BBT-M830]
28. HEX BOLT M8x40mm [HBT-M840] x 2
29. STUD M6 [STUD-M6]
30. REVERSE STUD M6 [STUD-M6L]
33. FEMALE REVERSE ROD END M6 [RDED-F6L]
34. FEMALE ROD END M6-8 [RDED-F6-8]
35. JAM NUT M6 [JNT-6] x 2
36. REVERSE JAM NUT M6 [JNT-6L] x 2
37. LOCK NUT M6 [LNT-6]
38. SPLIT WASHER M8 [SWS-8] x 2
39. PEG WASHER M8 [PWS-8]
40. FLAT HEAD M6x10mm [FBT-M610] x 2

- RETURN SPRING 40 [RS-RSP]
(not pictured)

[R]

