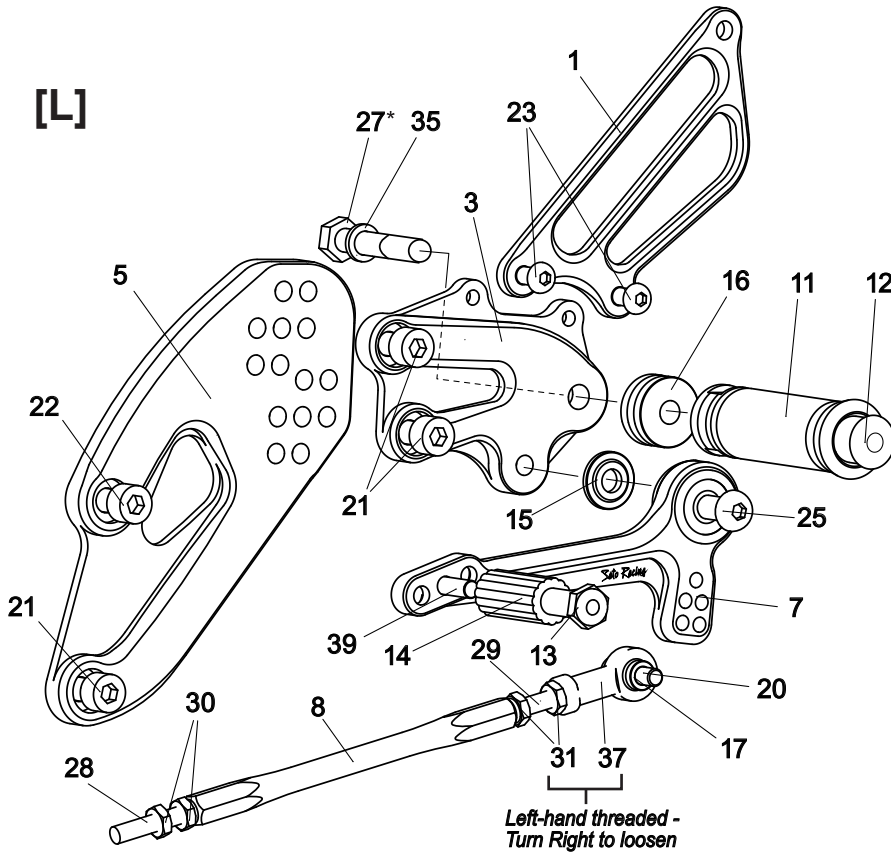


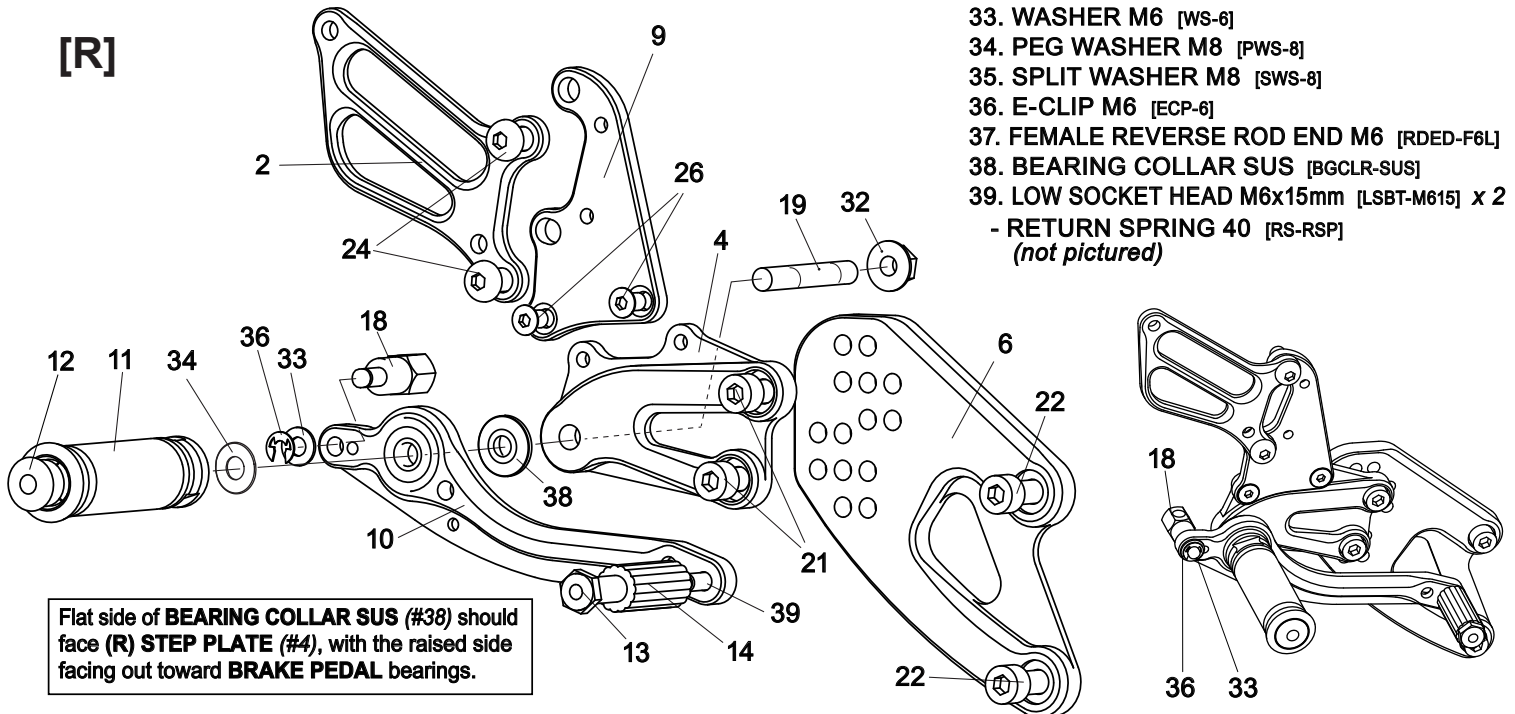
[L]



Flat side of **BEARING COLLAR 3S (#15)** should face **(L) STEP PLATE (#3)**, with the stepped side facing out toward **SHIFT PEDAL** bearings.

Left-hand threaded -  
Turn Right to loosen

[R]



Flat side of **BEARING COLLAR SUS (#38)** should face **(R) STEP PLATE (#4)**, with the raised side facing out toward **BRAKE PEDAL** bearings.

1. (L) HEEL GUARD [HG-2L]
  2. (R) HEEL GUARD [HG-9R]
  3. (L) STEP PLATE [K-ZX613SP-L]
  4. (R) STEP PLATE [Y-R3RC2SP-R]
  5. (L) BASE PLATE (BK) [Y-R3RCBP-LB]
  6. (R) BASE PLATE (BK) [Y-R3RCBP-RB]
  7. SHIFT PEDAL [SPD-0912]
  8. SHIFT ROD 135 (BK) [SRD-135B]
  9. MASTER STAY [Y-R3RC2MS]
  10. BRAKE PEDAL [BPD165-30]
  11. FOOT PEG [PEG] x 2
  12. FOOT PEG END CAP [ST-002] x 2
  13. PEDAL TIP (ALUM)(GD) [ST-001RG] x 2
  14. RUBBER SLEEVE [ST-001R-SL] x 2
  15. BEARING COLLAR 3S(BK) [PEGBGCLR-3SB]
  16. PEG COLLAR 12 (GD) [PEGCLR-12]
  17. ROD END COLLAR 3 (GD) [RDED-CLR3]
  18. BRAKE ROD [BRD-S]
  19. STUD BOLT M8x50mm [STBT-50]
  20. SOCKET HEAD M6x20mm [SBT-M620]
  21. SOCKET HEAD M8x15mm [SBT-M815] x 5
  22. SOCKET HEAD M8x20mm [SBT-M820] x 3
  23. BUTTON HEAD M6x10mm [BBT-M610] x 2
  24. BUTTON HEAD M8x20mm [BBT-M820] x 2
  25. BUTTON HEAD M8x30mm [BBT-M830]
  26. FLAT HEAD M6x12mm [FBT-M612] x 2
  27. HEX HEAD M8x40mm [HBT-M840]
  28. STUD M6 [STUD-M6]
  29. REVERSE STUD M6 [STUD-M6L]
  30. JAM NUT M6 [JNT-6] x 2
  31. REVERSE JAM NUT M6 [JNT-6L] x 2
  32. FLANGE NUT M8 [FNT-8]
  33. WASHER M6 [WS-6]
  34. PEG WASHER M8 [PWS-8]
  35. SPLIT WASHER M8 [SWS-8]
  36. E-CLIP M6 [ECP-6]
  37. FEMALE REVERSE ROD END M6 [RDED-F6L]
  38. BEARING COLLAR SUS [BGCLR-SUS]
  39. LOW SOCKET HEAD M6x15mm [LSBT-M615] x 2
- RETURN SPRING 40 [RS-RSP]  
(not pictured)