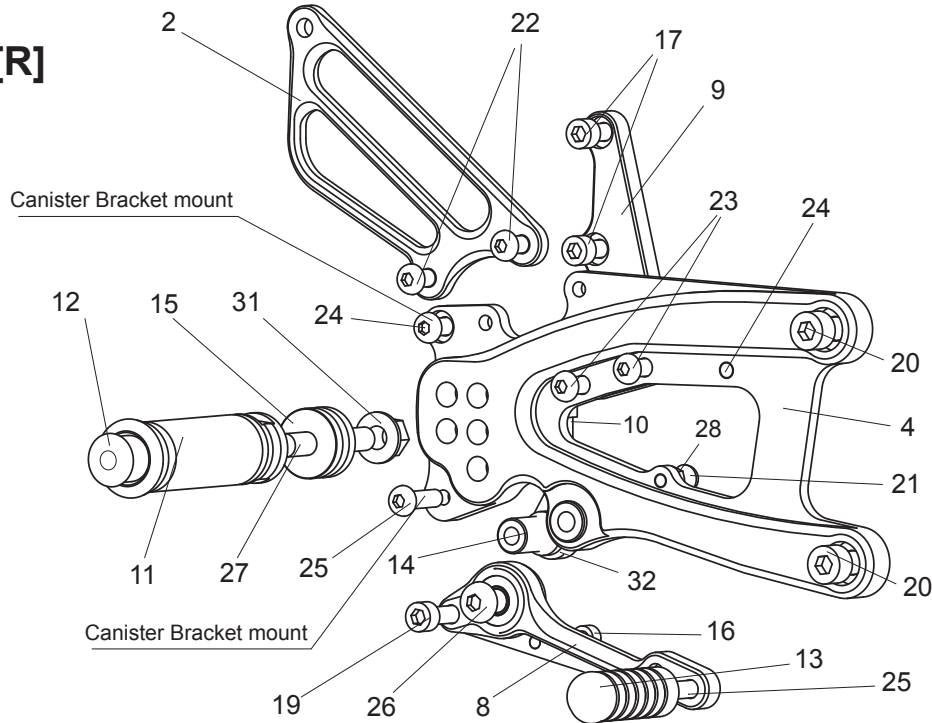
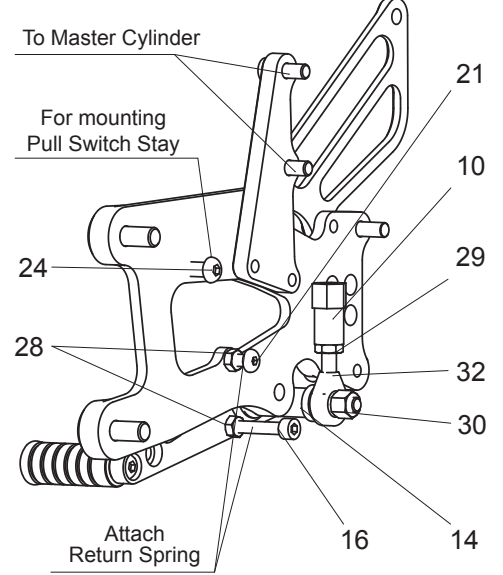


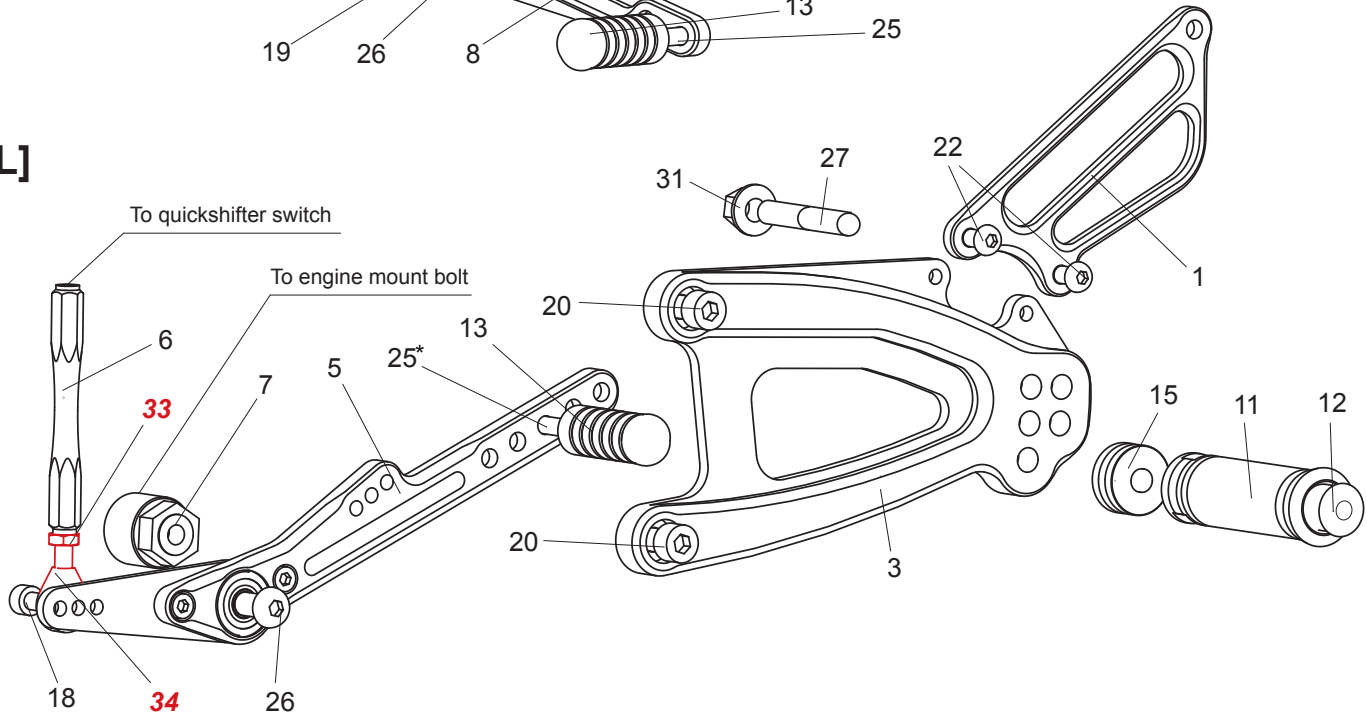
[R]



(BACK SIDE)



[L]



1. (L) HEEL GUARD [HG-2L]
2. (R) HEEL GUARD [HG-2R]
3. (L) STEP PLATE [Y-R115SP-L]
4. (R) STEP PLATE [Y-R115SP-R]
5. SHIFT PEDAL (BK) [SPD-CP019]
6. SHIFT ROD 70 (BK) [SRD-70B]
7. SHIFT BASE [SB-YR115]
8. BRAKE PEDAL [BPD-15]
9. MASTER STAY (BK) [Y-R115MS]
10. BRAKE ROD ADAPTER M6-8 [BRD-ADPTRM6-8]
11. FOOT PEG [PEG] x 2
12. FOOT PEG END CAP [ST-002] x 2
13. PEDAL TIP (DELRIN) [ST-001D18] x 2

14. COLLAR 23-6 (BK) [RDED-CLR23]
15. PEG COLLAR 12 [PEGCLR-12] x 2
16. SOCKET HEAD M5x30mm [SBT-M530]
17. SOCKET HEAD M6x15mm [SBT-M615] x 2
18. SOCKET HEAD M6x18mm [SBT-M618]
19. SOCKET HEAD M6x50mm [SBT-M650]
20. SOCKET HEAD M8x20mm [SBT-M820] x 4
21. BUTTON HEAD M5x15mm [BBT-M515]
22. BUTTON HEAD M6x10mm [BBT-M610] x 4
23. BUTTON HEAD M6x12mm [BBT-M612] x 2
24. BUTTON HEAD M6x15mm [BBT-M615] x 2
25. BUTTON HEAD M6x20mm [BBT-M620] x 3
26. BUTTON HEAD M8x25mm [BBT-M825] x 2

27. STUD BOLT M8x50mm [STBT-50] x 2
  28. NUT M5 [NUT-5] x 2
  29. JAM NUT M6 [JNT-6]
  30. LOCK NUT M6 [LNT-6]
  31. FLANGE NUT M8 [FNT-8] x 2
  32. MALE ROD END M6 [RDED-M6]
  - 33. REVERSE JAM NUT M6 (YAMAHA PART)**
  - 34. REVERSE MALE ROD END M6 (YAMAHA PART)**
- Not Pictured:*
- SOCKET HEAD M6x15mm [SBT-M615]
  - RETURN SPRING 8-35 [RS-RSP8-35]
  - COLLAR 5-6 [CLR-5-6]
  - WASHER M12 [WS-12] (for engine mount bolt)