

TRIUMPH THRUXTON / R '16- REAR SETS

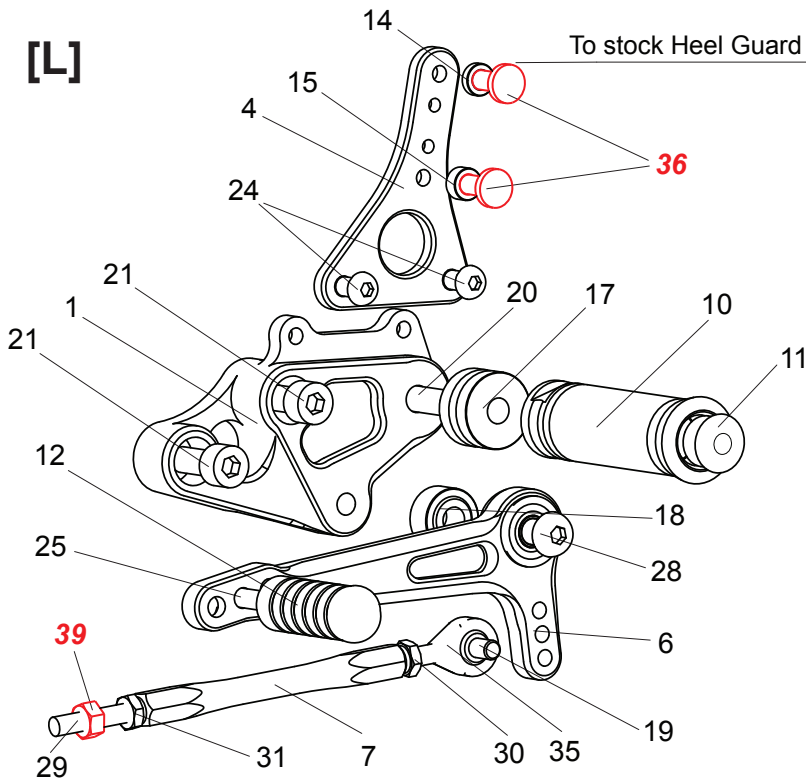
[T-THRUX16RS]

1. [L] STEP PLATE [T-THRUX16SP-L]
2. [R] STEP PLATE [T-THRUX16SP-R]
3. [R] BASE PLATE [T-THRUX16BP-R]
4. [L] HEEL GUARD BRACKET [HGB-TL]
5. [R] HEEL GUARD BRACKET [HGB-TR]
6. SHIFT PEDAL [SPD-SCP90]
7. SHIFT ROD 100(BK) [SRD-100B]
8. BRAKE PEDAL [BPD-BPS102]
9. BRAKE ROD [BRD-MT]
10. FOOT PEG [PEG] x 2
11. FOOT PEG END CAP [ST-002] x 2
12. PEDAL TIP (DELRIN) [ST-001D18] x 2
14. COLLAR 3-6(SV) [CLR-3-6]
15. COLLAR 5-6(SV) [CLR-5-6]
16. PEG COLLAR 10 [PEGCLR-10]
17. PEG COLLAR 15 [PEGCLR-15]
18. BEARING COLLAR 10(BK) [PEGBGCLR-10SB]
19. HEX HEAD M6x18mm [HBT-M618]
20. FLAT HEAD M8x40mm [FBT-M840] x 2
21. SOCKET HEAD M8x20mm [SBT-M820] x 2
22. SOCKET HEAD M8x35mm [SBT-M835] x 2
23. BUTTON HEAD M6x8mm [BBT-M68]
24. BUTTON HEAD M6x10mm [BBT-M610] x 4
25. BUTTON HEAD M6x20mm [BBT-M620] x 2
26. BUTTON HEAD M8x20mm [BBT-M820]
27. BUTTON HEAD M8x25mm [BBT-M825] x 2
28. BUTTON HEAD M8x35mm [BBT-M835]
29. REVERSE STUD M6x45mm [STUD-M6L]
30. JAM NUT M6 [JNT-6]
31. REVERSE JAM NUT M6 [JNT-6L]
32. NUT M8 [NUT-8]
33. WASHER M6 [WS-6]
34. E-CLIP M6 [ECP-6]
35. MALE ROD END M6 [RDED-M6]

TRIUMPH PARTS:

- 36. BOLT x 2
- 37. BOLT x 2
- 38. NUT
- 39. NUT
- 40. BRAKE SWITCH PLATE
- 41. ADJUSTMENT BRACKET
- 42. M5 PIN
- 43. BOLT

[L]



[R]

