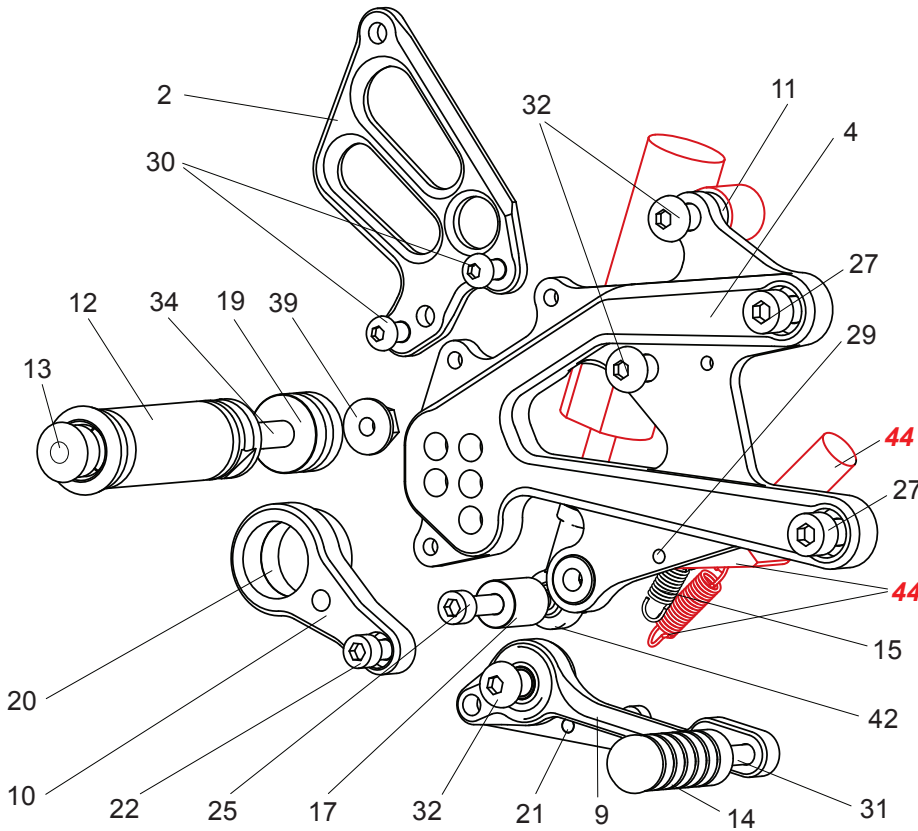


# TRIUMPH STREET TRIPLE 765 '17- REAR SETS

part# T-ST765RS

(For Street Triple models **not** equipped with the Quick Shifter)

[R]-SIDE



- 2. (R) HEEL GUARD [HG-20R]
- 4. (R) STEP PLATE [T-ST67513SP-R]
- 9. BRAKE PEDAL [BPD-15]
- 10. CANISTER BRACKET (BK)
- 11. STAY (BK) [8L-49]
- 12. FOOT PEG [PEG]
- 13. FOOT PEG END CAP [ST-002]
- 14. PEDAL TIP (DELRIN) [ST-001D18]
- 15. RETURN SPRING 8-25
- 17. ROD END COLLAR 19 (BK) [RDED-CLR19]
- 19. PEG COLLAR 15 [PEGCLR-15]
- 20. BRACKET COLLAR 10 (BK)
- 21. SOCKET HEAD M5 x 35mm [SBT-M535]
- 22. SOCKET HEAD M6 x 10mm [SBT-M610]
- 25. SOCKET HEAD M6 x 45mm [SBT-M645]
- 27. SOCKET HEAD M8 x 15mm [SBT-M815] x 2
- 29. BUTTON HEAD M5 x 15mm [BBT-M515]
- 30. BUTTON HEAD M6 x 10mm [BBT-M610] x 2
- 31. BUTTON HEAD M6 x 20mm [BBT-M620]
- 32. BUTTON HEAD M8 x 25mm [BBT-M825] x 3
- 34. STUD BOLT M8 x 50mm [STBT-50]
- 35. NUT M5 [NUT-5] x 2
- 38. LOCK NUT M6 [LNT-6]
- 39. FLANGE NUT M8 [FNT-8]
- 42. FEMALE ROD END 6-M8 [RDED-F6-8]

**TRIUMPH PARTS:**

- 44. PULL SWITCH / BRACKET / SPRING**
- 45. NUT**

