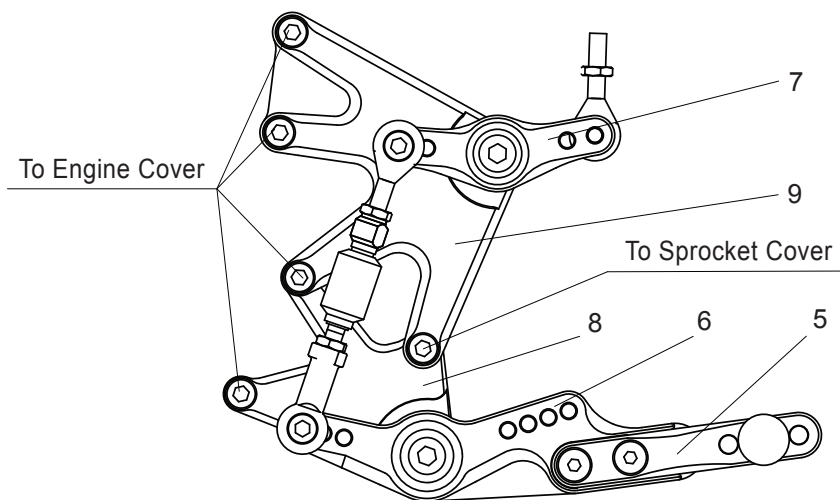
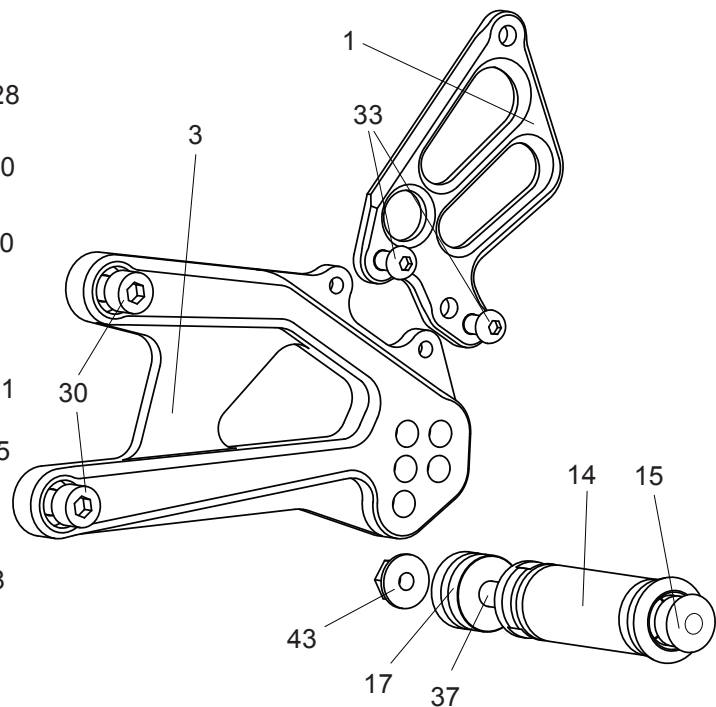
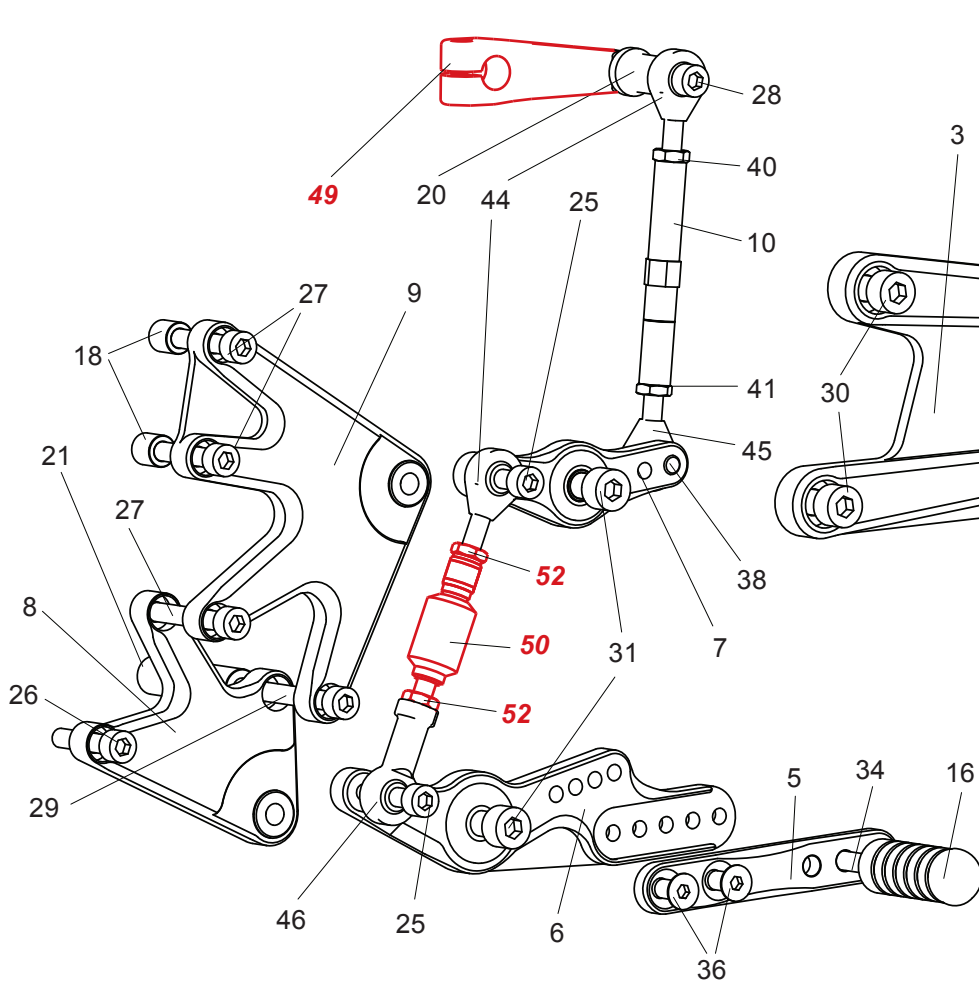


part# T-ST765RSQ



1. (L) HEEL GUARD [HG-20L]
3. (L) STEP PLATE [T-ST67513SP-L]
5. SHIFT PEDAL SPD8 (BK) [SPD-8B]
6. SHIFT PEDAL SPD11 (BK) [SPD-11]
7. SHIFT LINK 165 (BK)
8. SHIFT BASE (BK)
9. SHIFT LINK BASE (BK)
10. SHIFT ROD 70 (BK) [SRD-70B]
14. FOOT PEG [PEG]
15. FOOT PEG END CAP [ST-002]
16. PEDAL TIP (DELRIN) [ST-001D18]
17. PEG COLLAR 15 [PEGCLR-15]
18. COLLAR 10-6 (SV) [CLR-10-6] x 2
20. COLLAR 23-6 (BK)
21. COLLAR 50-6 [CLR-50-6]
25. SOCKET HEAD M6 x 18mm [SBT-M618] x 2
26. SOCKET HEAD M6 x 30mm [SBT-M630]
27. SOCKET HEAD M6 x 40mm [SBT-M640] x 3
28. SOCKET HEAD M6 x 45mm [SBT-M645]
29. SOCKET HEAD M6 x 90mm [SBT-M690]
30. SOCKET HEAD M8 x 15mm [SBT-M815] x 2
31. SOCKET HEAD M8 x 25mm [SBT-M825] x 2
33. BUTTON HEAD M6 x 10mm [BBT-M610] x 2
34. BUTTON HEAD M6 x 20mm [SBT-M620]
36. FLAT HEAD M6 x 12mm [FBT-M612] x 2
37. STUD BOLT M8 x 50mm [STBT-50]
38. HEX HEAD M6 x 18mm [HBT-M618]
40. JAM NUT M6 [JNT-6]
41. REVERSE JAM NUT M6 [JNT-6L]
43. FLANGE NUT M8 [FNT-8]
44. MALE ROD END M6 [RDED-M6] x 2
45. REVERSE MALE ROD END M6 [RDED-M6L]
46. FEMALE ROD END M6 [RDED-F6]

TRIUMPH PARTS:
49. CHANGE ARM
50. SHIFTER SWITCH
52. NUT x 2