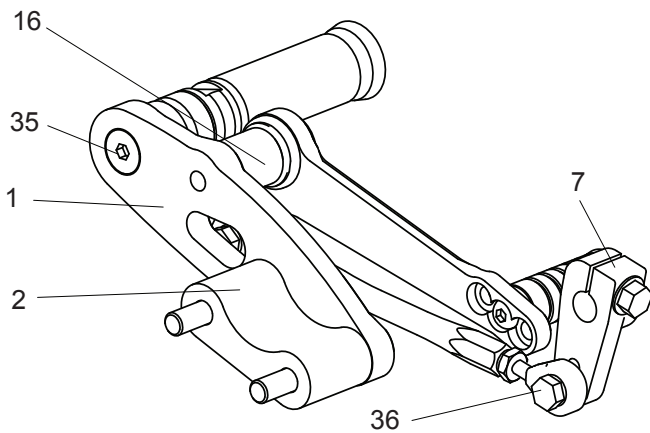


(Back Side)



1. (L) STEP PLATE
2. (L) BASE PLATE (BK)
6. SHIFT PEDAL [SPD-SCP90]
7. SHIFT ARM (BK)
8. SHIFT ROD 100 [SRD-100]
12. FOOT PEG [PEG]
13. FOOT PEG END CAP [ST-002]
14. PEDAL TIP (DELRIN) [ST-001D18]
16. BEARING COLLAR 20 (BK) [PEGBGCLR-20]
18. ROD END COLLAR 3 (GD) [RDED-CLR3]
23. PEG COLLAR 20 [PEGCLR-20]
24. SOCKET HEAD M5x10mm [SBT-M510]
29. SOCKET HEAD M8x50mm [SBT-M850] x 2
31. BUTTON HEAD M6x20mm [BBT-M620]
34. BUTTON HEAD M8x45mm [BBT-M845]
35. FLAT HEAD M8x45mm [FBT-M845]
36. HEX HEAD M6x18mm [HBT-M618]
37. HEX HEAD M6x20mm [HBT-M620]
38. FLANGE HEAD M6x20mm [FGBT-M620]
39. JAM NUT M6 [JNT-6]
40. REVERSE JAM NUT M6 [JNT-6L]
42. MALE ROD END M6 [RDED-M6]
43. REVERSE MALE ROD END M6 [RDED-M6L]