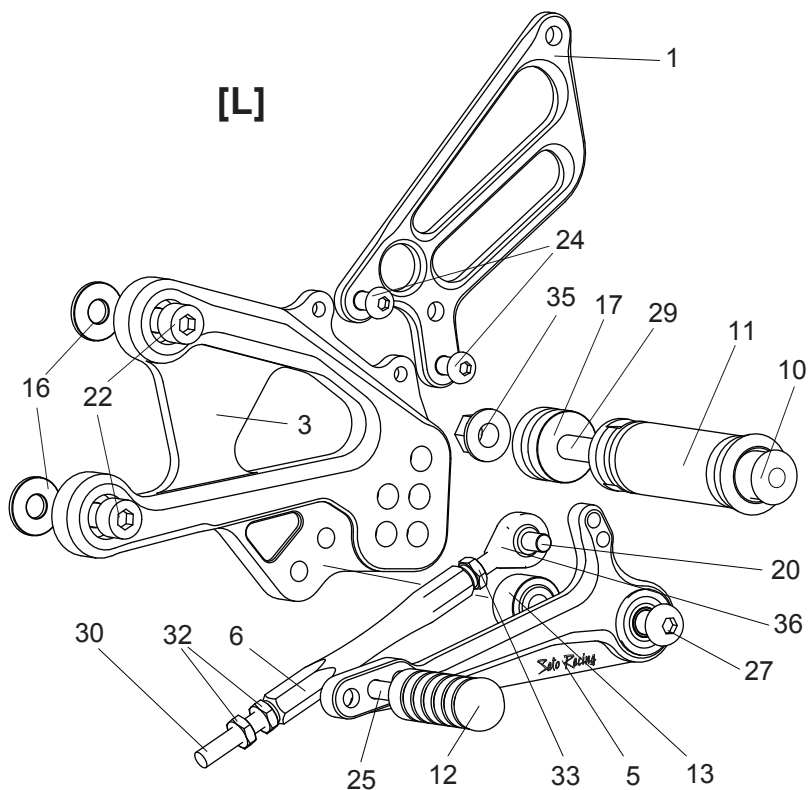
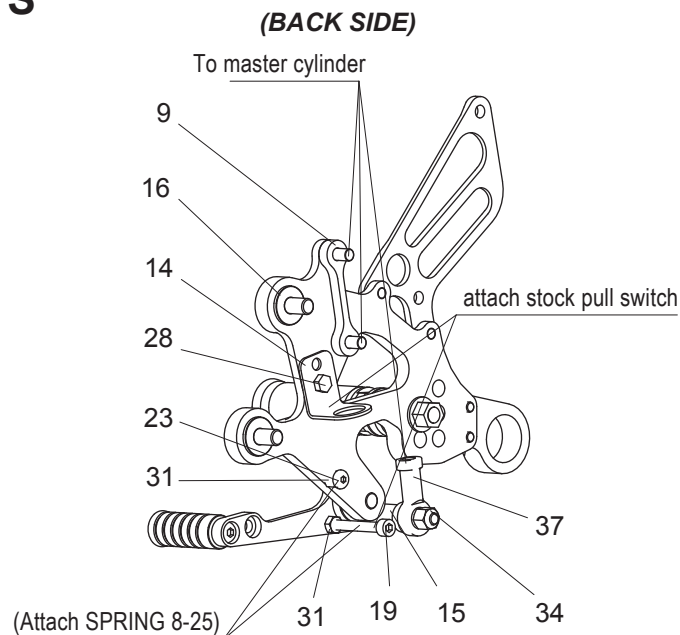
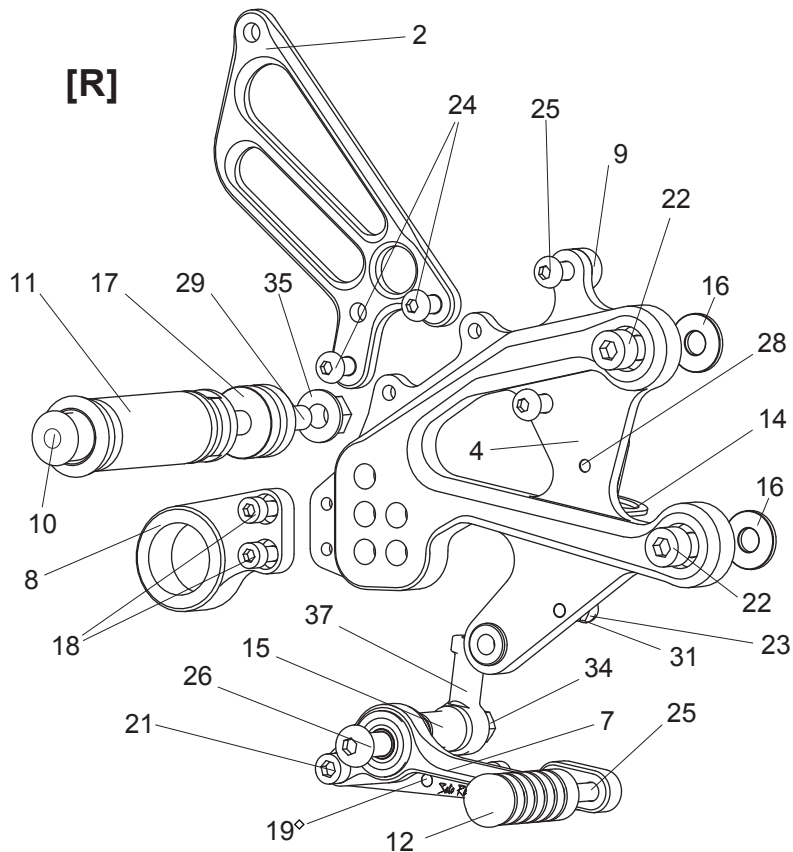


SUZUKI GSX-S1000/F/Z ('15-'20) REVERSE SHIFT REAR SETS

(ver.1 design) part# S-S1000RSR



1. HEEL GUARD [L] [HG-6L]
 2. HEEL GUARD [R] [HG-6R]
 3. STEP PLATE [L] [S-S1000SP-L]
 4. STEP PLATE [R] [S-S1000SP-R]
 5. SHIFT PEDAL [SPD-SCP70]
 6. SHIFT ROD 90 [SRD-90B]
 7. BRAKE PEDAL [BPD-15]
 8. HANGER BRACKET (BK)
 9. STAY 45-6 (BK) [STAY-6L45T6]
 10. FOOT PEG END CAP [ST-002] x 2
 11. FOOT PEG [PEG] x 2
 12. PEDAL TIP (DELRIN) [ST-001D18] x 2
 13. BEARING COLLAR 13(BK) [PEGBGCLR-13SB]
 14. PULL SWITCH STAY 16 [PSTAY-16]
 15. ROD END COLLAR 23(BK) [RDED-CLR23]
 16. BASE PLATE COLLAR 2(BK) [BPCLR-2] x 4
 17. PEG COLLAR 15 [PEGCLR-15] x 2
 18. SOCKET HEAD M5x10mm [SBT-M510] x 2
 19. SOCKET HEAD M5x40mm [SBT-M540]
 20. BUTTON HEAD M6x18mm [SBT-M618]
 21. SOCKET HEAD M6x50mm [SBT-M650]
 22. SOCKET HEAD M8x20mm [SBT-M820] x 4
 23. BUTTON HEAD M5x15mm [BBT-M515]
 24. BUTTON HEAD M6x10mm [BBT-M610] x 4
 25. BUTTON HEAD M6x20mm [BBT-M620] x 4
 26. BUTTON HEAD M8x25mm [BBT-M825]
 27. BUTTON HEAD M8x35mm [BBT-M835]
 28. HEX BOLT M5x6mm [HBT-M56]
 29. STUD BOLT M8x50mm [STBT-50] x 2
 30. STUD M6 [STUD-M6]
 31. NUT M5 [NUT-5] x 2
 32. JAM NUT M6 [JNT-6] x 2
 33. REVERSE JAM NUT M6 [JNT-6L]
 34. LOCK NUT M6 [LNT-6]
 35. FLANGE LOCK NUT M8S [FLNT-8S] x 2
 36. REVERSE MALE ROD END M6 [RDED-M6L]
 37. FEMALE ROD END 6-M8 [RDED-F6-8]
- SPRING 8-25 (not pictured) [RS-RSP825]