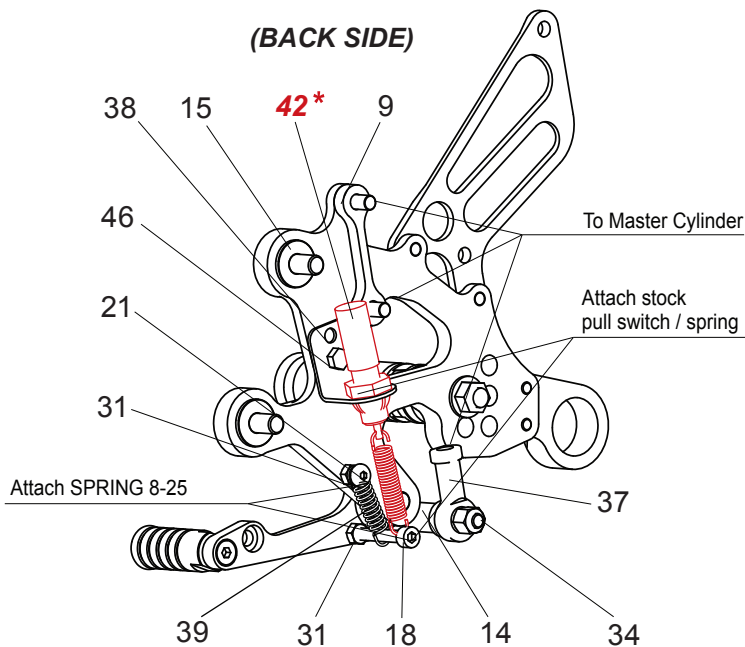


- 2. (R) HEEL GUARD [HG-6R]
- 4. (R) STEP PLATE [S-S1000SP-R]
- 7. BRAKE PEDAL [BPD-15]
- 8. CANISTER BRACKET (BK)
- 9. STAY (BK) [STAY-6L45T6]
- 10. FOOT PEG END CAP [ST-002]
- 11. FOOT PEG [PEG]
- 12. PEDAL TIP (DELRIN) [ST-001D18]
- 14. ROD END COLLAR 23(BK) [RDED-CLR23]
- 15. BASE PLATE COLLAR 2(BK) [BPCLR-2] x 2
- 16. PEG COLLAR 15 [PEGCLR-15]
- 17. SOCKET HEAD M5x8mm [SBT-M58] x 2
- 18. SOCKET HEAD M5x35mm [SBT-M535]
- 19. SOCKET HEAD M6x50mm [SBT-M650]
- 20. SOCKET HEAD M8x20mm [SBT-M820] x 2
- 21. BUTTON HEAD M5x15mm [BBT-M515]
- 22. BUTTON HEAD M6x10mm [BBT-M610] x 2
- 23. BUTTON HEAD M6x20mm [BBT-M620] x 2
- 24. BUTTON HEAD M8x25mm [BBT-M825]
- 26. LOW SOCKET HEAD M6x20mm [LSBT-M620]
- 27. HEX HEAD M5x6mm [HBT-M56]
- 29. STUD BOLT M8x50mm [STBT-50]
- 31. NUT M5 [NUT-5] x 2
- 34. LOCK NUT M6 [LNT-6]
- 35. FLANGE LOCK NUT M8S [FLNT-8S]
- 37. FEMALE ROD END 6-M8 [RDED-F6-8]
- 38. PULL SWITCH STAY 16 [PSTAY-16]
- 39. SPRING 8-25 [RS-RSP8-25]

(BACK SIDE)



*** STOCK SUZUKI PARTS:**

- 41. NUT**
- 42. PULL SWITCH**
- 43. MASTER CYLINDER**