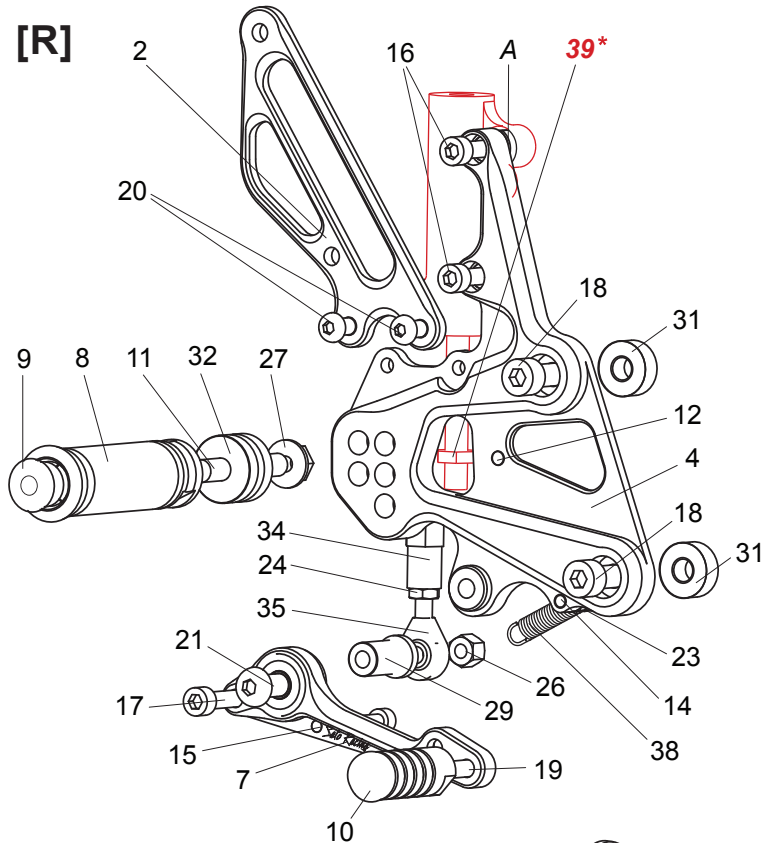
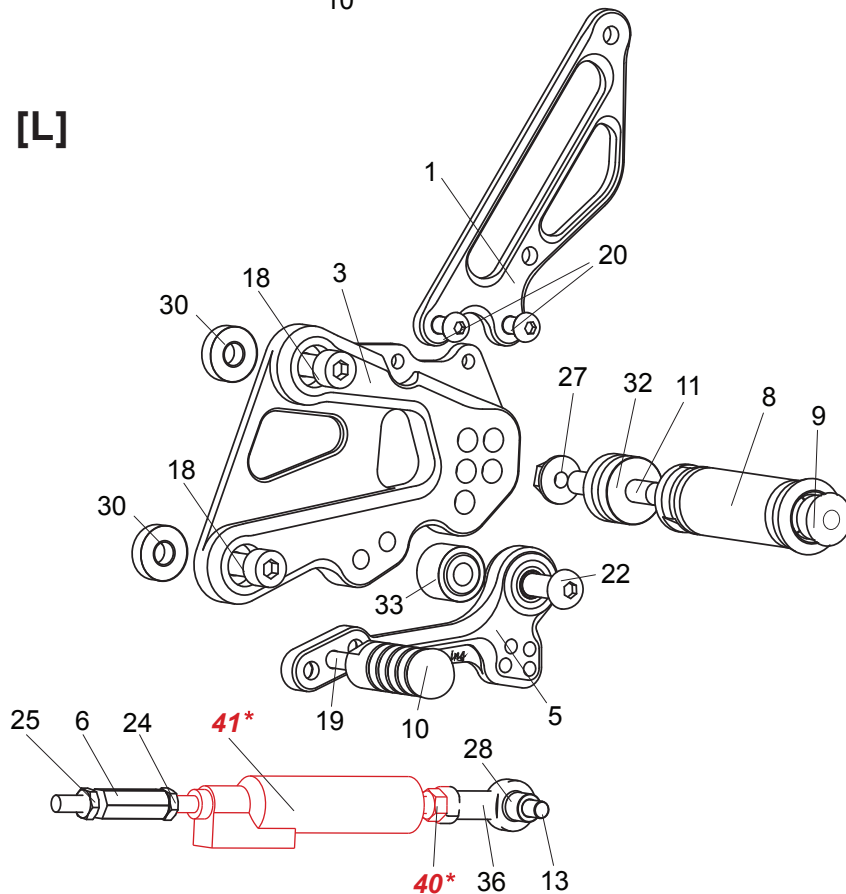


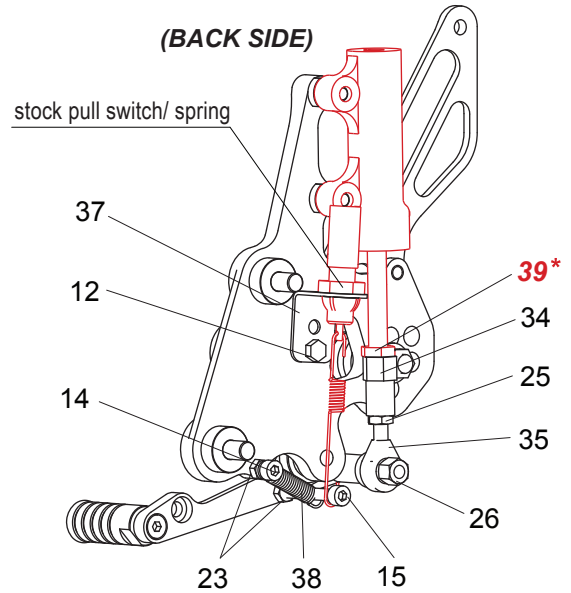
[R]



[L]



(BACK SIDE)



1. (L) HEEL GUARD [HG-8L]
2. (R) HEEL GUARD [HG-8R]
3. (L) STEP PLATE [S-GSX1314SP-L]
4. (R) STEP PLATE [S-GSX1314SP-R]
5. SHIFT PEDAL [SPD-10]
6. SHIFT ROD [SRD-CR45F6M6L]
7. BRAKE PEDAL [BPD-15]
8. FOOT PEG [PEG] x 2
9. FOOT PEG END CAP [ST-002] x 2
10. PEDAL TIP (DELRIN) [ST-001D18] x 2
11. STUD BOLT M8x50mm [STBT-50] x 2
12. HEX HEAD M5x6mm [HBT-M56]
13. HEX HEAD M6x25mm [HBT-M625]
14. SOCKET HEAD M5x15mm [SBT-M515]
15. SOCKET HEAD M5x40mm [SBT-M540]
16. SOCKET HEAD M6x20mm [SBT-M620] x 2
17. SOCKET HEAD M6x50mm [SBT-M650]
18. SOCKET HEAD M8x25mm [SBT-M825] x 4
19. LOW SOCKET HEAD M6x20mm [LSBT-M620] x 2
20. BUTTON HEAD M6x10mm [BBT-M610] x 4
21. BUTTON HEAD M8x25mm [BBT-M825]
22. BUTTON HEAD M8x45mm [BBT-M845]
23. NUT M5 [NUT-5] x 2
24. JAM NUT M6 [JNT-6] x 2
25. REVERSE JAM NUT M6 [JNT-6L]
26. LOCK NUT M6 [LNT-6]
27. FLANGE NUT M8 [FNT-8] x 2
28. ROD END COLLAR 8 (GD) [RDED-CLR8]
29. ROD END COLLAR 25 (BK) [RDED-CLR25]
30. BASE PLATE COLLAR 6 (BK) [BPCLR-6] x 2
31. BASE PLATE COLLAR 8 (BK) [BPCLR-8] x 2
32. PEG COLLAR 15 [PEGCLR-15] x 2
33. BEARING COLLAR 15 (BK) [PEGBCLR-15SB]
34. ROD ADAPTER M6-8 [BRD-ADPTRM6-8]
35. MALE ROD END M6 [RDED-M6]
36. FEMALE ROD END M6 [RDED-F6]
37. PULL SWITCH STAY 16 [PSTAY-16]
38. SPRING 8-25 [RS-RSP825]

*** STOCK SUZUKI PARTS**

39. NUT M8

40. NUT M6

41. SHIFTER SWITCH

A. COLLAR 5-M10-6 (BK) x 2 (pre-installed)