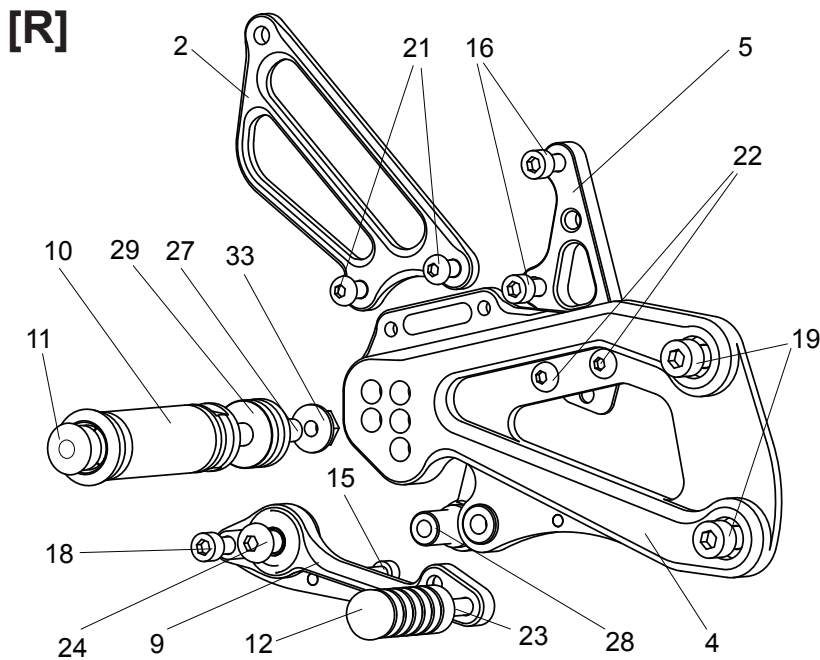


1. (L) HEEL GUARD [HG-2L]
2. (R) HEEL GUARD [HG-2R]
3. (L) STEP PLATE [S-GSX117SP-L]
4. (R) STEP PLATE [S-GSX117SP-R]
5. MASTER STAY (BK) [S-GSX117MS]
6. SHIFT PEDAL SPD8L (BK) [SPD-8L]
7. SHIFT BASE S3 (BK) [SB-S3]
8. SHIFT BASE S1 [SB-S1]
9. BRAKE PEDAL [BPD-BPSS165]
10. FOOT PEG [PEG] x 2
11. FOOT PEG END CAP [ST-002] x 2
12. PEDAL TIP (DELRIN) [ST-001D18] x 2
13. HEX HEAD M5 x 6mm [HBT-M56]
14. SOCKET HEAD M5 x 15mm [SBT-M515]
15. SOCKET HEAD M5 x 45mm [SBT-M545]
16. SOCKET HEAD M6 x 20mm [SBT-M620] x 2
17. SOCKET HEAD M6 x 25mm [SBT-M625]
18. SOCKET HEAD M6 x 45mm [SBT-M645]
19. SOCKET HEAD M8 x 20mm [SBT-M820] x 4
20. SOCKET HEAD M10 x 35mm (P-1.25) [SBT-M1035]
21. BUTTON HEAD M6 x 10mm [BBT-M610] x 4
22. BUTTON HEAD M6 x 12mm [BBT-M612] x 2
23. BUTTON HEAD M6 x 20mm [BBT-M620] x 2
24. BUTTON HEAD M8 x 25mm [BBT-M825]
25. FLAT HEAD M6 x 12mm [FBT-M612] x 2
26. FLAT HEAD M6 x 15mm [FBT-M615] x 2
27. STUD BOLT M8 x 45mm [STBT-45] x 2
28. ROD END COLLAR 23 (BK) [RDED-CLR23]
29. FOOT PEG COLLAR 12 [PEGCLR-12] x 2
30. SHIFT BASE COLLAR 10 [SBGCLR-10]
31. NUT M5 [NUT-5] x 2
32. LOCK NUT M6 [LNT-6] x 2
33. FLANGE NUT M8 [FNT-8] x 2
34. REVERSE MALE ROD END M6 [RDED-M6L]
35. FEMALE ROD END 6-M8 [RDED-F6-8]
36. PULL SWITCH STAY 16 [PSTAY-16]
37. RETURN SPRING 8-25 [RS-RSP8-25]



(BACK SIDE)

