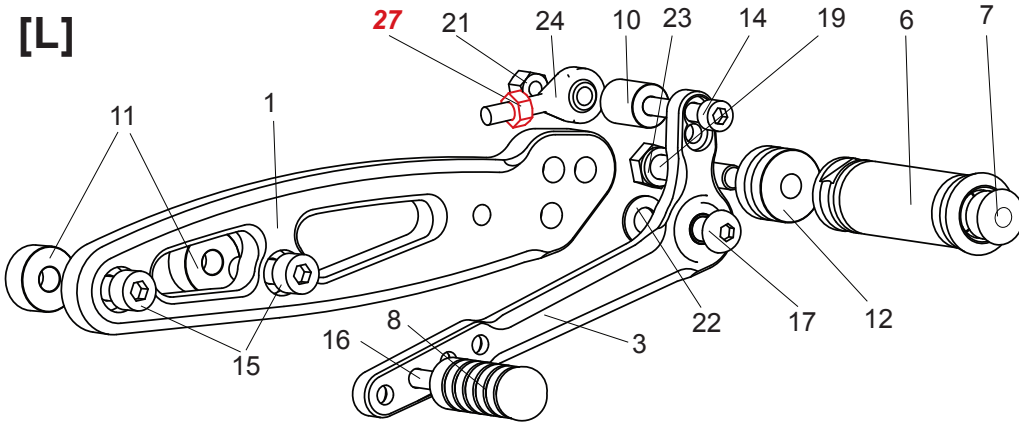
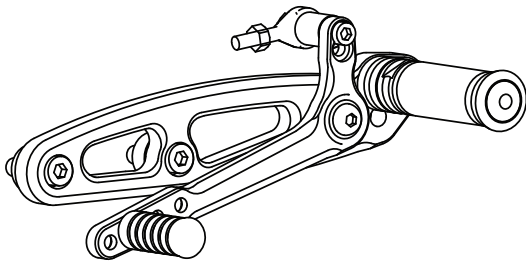


# MOTO GUZZI V7 III ('17-'20) REAR SETS part# MG-V717RS

[L]



1. (L) STEP PLATE
2. (R) STEP PLATE
3. SHIFT PEDAL [SPD-CPMG05]
4. BRAKE PEDAL [BPD-BPMG03]
5. ROD 120 [SRD-120]
6. FOOT PEG [PEG] x 2
7. FOOT PEG END CAP [ST-002] x 2
8. PEDAL TIP (DELRIN) [ST-001D18] x 2
9. COLLAR 12-6 (BK) (12mm diam.)
10. COLLAR 19-6 (15mm diam.)
11. COLLAR 10-8 x 4
12. PEG COLLAR 15 [PEGCLR-15] x 2
13. SOCKET HEAD M6 x 20mm [SBT-M620] x 2
14. SOCKET HEAD M6 x 40mm [SBT-M640]
15. SOCKET HEAD M8 x 30mm [SBT-M830] x 4
16. BUTTON HEAD M6 x 20mm [BBT-M620] x 2
17. BUTTON HEAD M8 x 25mm [BBT-M825] x 2
18. HEX HEAD M6 x 30mm [HBT-M630]
19. HEX HEAD M8 x 45mm [HBT-M845] x 2
20. REVERSE JAM NUT M6 [JNT-6L]
21. LOCK NUT M6 [LNT-6]
22. PEG WASHER M8 [PWS-8]
23. SPLIT WASHER M8 [SWS-8] x 2
24. MALE ROD END M6 [RDED-M6]
25. REVERSE MALE ROD END M6 [RDED-M6L]
26. NUT (STOCK PART) x 2
27. NUT (STOCK PART)



Not Pictured:  
BRAKE LIGHT SWITCH P-1.0 [BSW-1]

[R]

