

KAWASAKI ZX-10R ('21-) REAR SETS

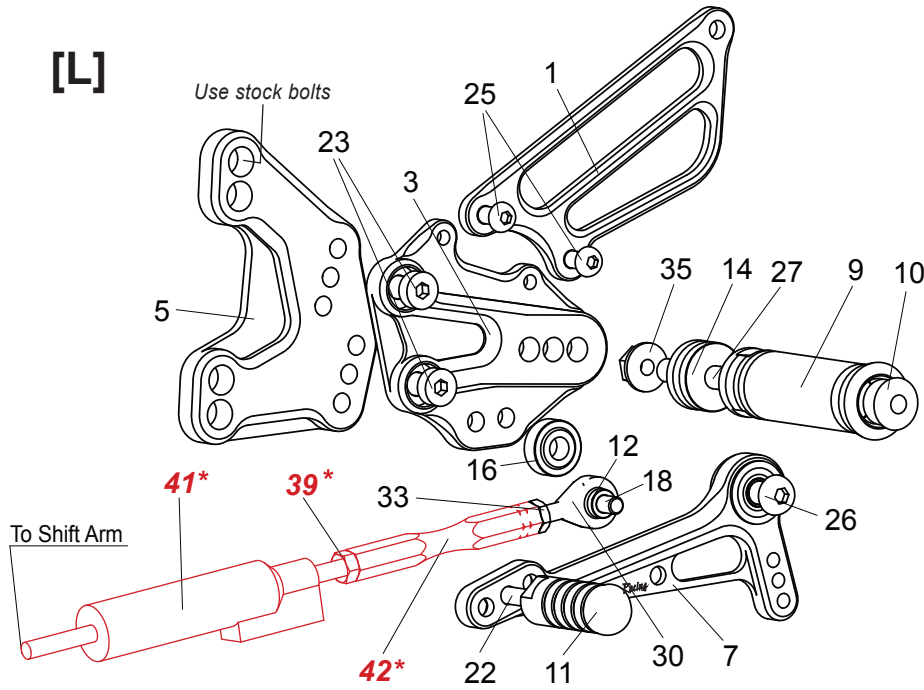
part# K-ZX1021RS

1. [L] HEEL GUARD [HG-2L]
2. [R] HEEL GUARD [HG-2R]
3. [L] STEP PLATE [H-CBR609ASP-L]
4. [R] STEP PLATE [H-CBR109ASP-R]
5. [L] BASE PLATE [K-ZX1011BP-L]
6. [R] BASE PLATE [K-ZX1021BP-R]
7. SHIFT PEDAL [SPD-14]
8. BRAKE PEDAL [BPD-15]
9. FOOT PEG [PEG] x 2
10. FOOT PEG END CAP [ST-002] x 2
11. PEDAL TIP (DELRIN) [ST-001D18] x 2
12. ROD END COLLAR 3(GD) [RDED-CLR3]
13. ROD END COLLAR 20(BK) [RDED-CLR20]
14. PEG COLLAR 12 [PEGCLR-12] x 2
15. BEARING COLLAR 3(BK) [PEGBGCLR-3SB]
16. BEARING COLLAR 7.5(BK) [PEGBGCLR-7.5SB]
17. HEX HEAD M5x8mm [HBT-M58]
18. HEX HEAD M6x20mm [HBT-M620]
19. SOCKET HEAD M5x12mm [SBT-M512]
20. SOCKET HEAD M5x40mm [SBT-M540]
21. SOCKET HEAD M6x45mm [SBT-M645]
22. LOW SOCKET HEAD M6x20mm [LSBT-M620] x 2
23. LOW SOCKET HEAD M8x15mm [LSBT-M815] x 4
24. LOW SOCKET HEAD M8x20mm [LSBT-M820] x 2
25. BUTTON HEAD M6x10mm [BBT-M610] x 4
26. BUTTON HEAD M8x30mm [BBT-M830] x 2
27. STUD BOLT M8x45mm [STBT-45] x 2
28. ROD ADAPTER M6-8 [BRD-ADPTRM6-8]
29. MALE ROD END M6 [RDED-M6]
30. REVERSE MALE ROD END M6 [RDED-M6L]
31. NUT M5 [NUT-5] x 2
32. JAM NUT M6 [JNT-6]
33. REVERSE JAM NUT M6 [JNT-6L]
34. LOCK NUT M6 [LNT-6]
35. FLANGE NUT M8 [FNT-8] x 2
36. PULL SWITCH STAY 16 [PSTAY-16]
37. RETURN SPRING 8-25 [RS-RSP825]
38. UNIVERSAL BRACKET (BK) [UB-M850-B]

*** Stock Kawasaki Parts:**

- 39. NUT
- 40. NUT
- 41. SHIFTER SWITCH
- 42. SHIFT ROD
- 43. PULL SWITCH

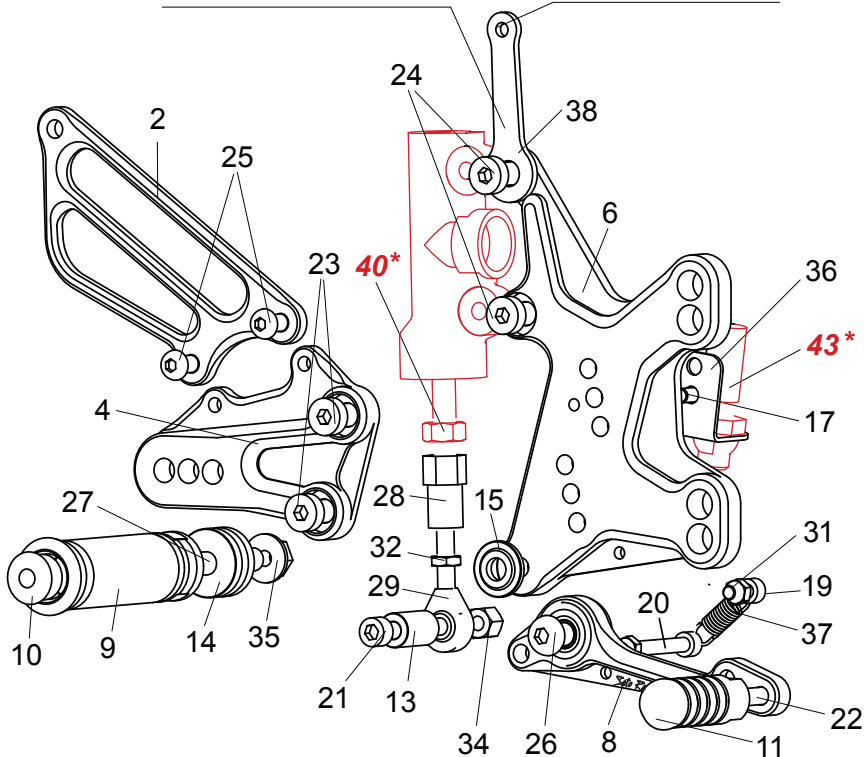
[L]



[R]

Adjust the bend of the bracket so that there is no interference.

Attach Brake Reservoir



(Back Side)

