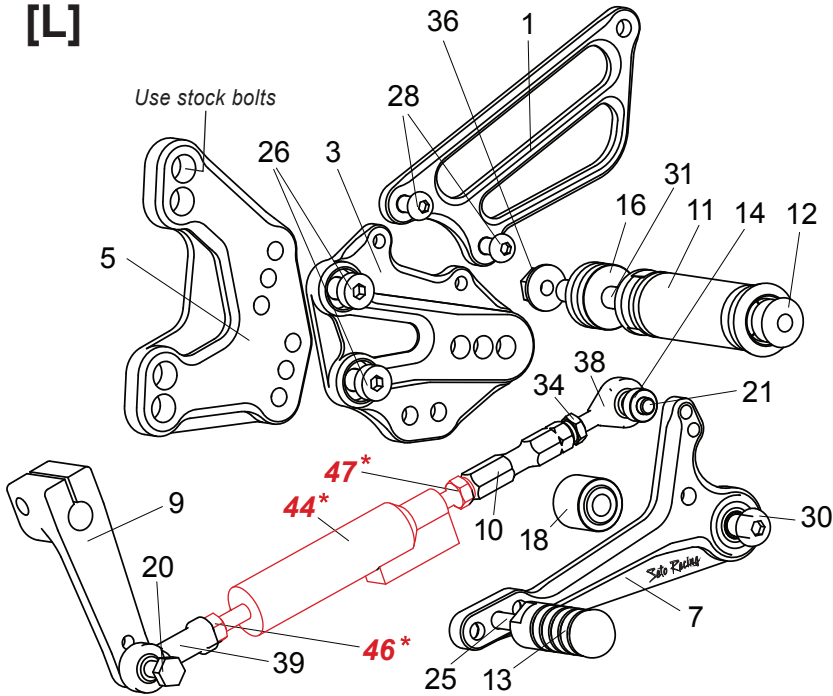


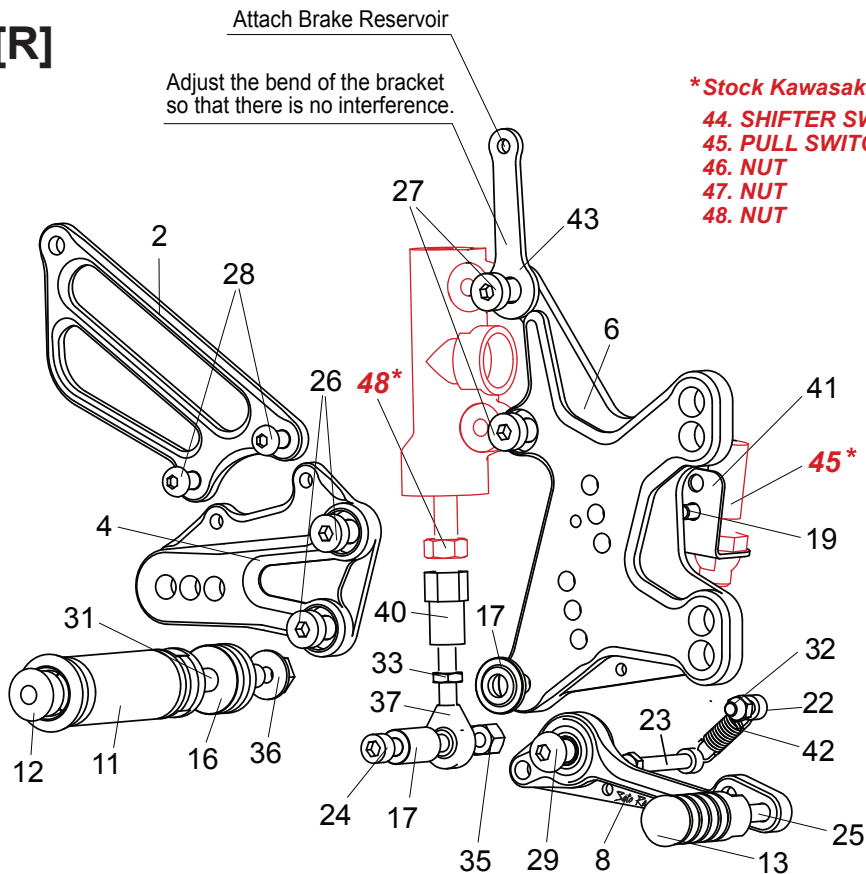
KAWASAKI ZX-10R ('21-) REVERSE SHIFT REAR SETS

part# K-ZX1021RSR

[L]



[R]



1. [L] HEEL GUARD [HG-2L]
 2. [R] HEEL GUARD [HG-2R]
 3. [L] STEP PLATE [H-CBR609ASP-L]
 4. [R] STEP PLATE [H-CBR109ASP-R]
 5. [L] BASE PLATE [K-ZX1011BP-L]
 6. [R] BASE PLATE [K-ZX1021BP-R]
 7. SHIFT PEDAL [SPD-CPS82R]
 8. BRAKE PEDAL [BPD-15]
 9. CHANGE ARM(BK) [CA-SS45]
 10. SHIFT ROD 50(BK) [SRD-50B]
 11. FOOT PEG [PEG] x 2
 12. FOOT PEG END CAP [ST-002] x 2
 13. PEDAL TIP (DELRIN) [ST-001D18] x 2
 14. ROD END COLLAR 5(BK) [HGCLR-5]
 15. ROD END COLLAR 20(BK) [RDED-CLR20]
 16. PEG COLLAR 12 [PEGCLR-12] x 2
 17. BEARING COLLAR 3(BK) [PEGBGCLR-3SB]
 18. BEARING COLLAR 17.5(BK) [PEGBGCLR-17.5SB]
 19. HEX HEAD M5x8mm [HBT-M58]
 20. HEX HEAD M6x18mm [HBT-M618]
 21. HEX HEAD M6x22mm [HBT-M622]
 22. SOCKET HEAD M5x12mm [SBT-M512]
 23. SOCKET HEAD M5x40mm [SBT-M540]
 24. SOCKET HEAD M6x45mm [SBT-M645]
 25. LOW SOCKET HEAD M6x20mm [LSBT-M620] x 2
 26. LOW SOCKET HEAD M8x15mm [LSBT-M815] x 4
 27. LOW SOCKET HEAD M8x20mm [LSBT-M820] x 2
 28. BUTTON HEAD M6x10mm [BBT-M610] x 4
 29. BUTTON HEAD M8x30mm [BBT-M830]
 30. BUTTON HEAD M8x40mm [BBT-M840]
 31. STUD BOLT M8x45mm [STBT-45] x 2
 32. NUT M5 [NUT-5] x 2
 33. JAM NUT M6 [JNT-6]
 34. REVERSE JAM NUT M6 [JNT-6L]
 35. LOCK NUT M6 [LNT-6]
 36. FLANGE NUT M8 [FNT-8] x 2
 37. MALE ROD END M6 [RDED-M6]
 38. REVERSE MALE ROD END M6 [RDED-M6L]
 39. FEMALE ROD END M6 [RDED-F6]
 40. ROD ADAPTER M6-8 [BRD-ADPTRM6-8]
 41. PULL SWITCH STAY 16 [PSTAY-16]
 42. RETURN SPRING 8-25 [RS-RSP825]
 43. UNIVERSAL BRACKET (BK) [UB-M850-B]
- *Stock Kawasaki Parts:**
44. SHIFTER SWITCH
45. PULL SWITCH
46. NUT
47. NUT
48. NUT

(Back Side)

