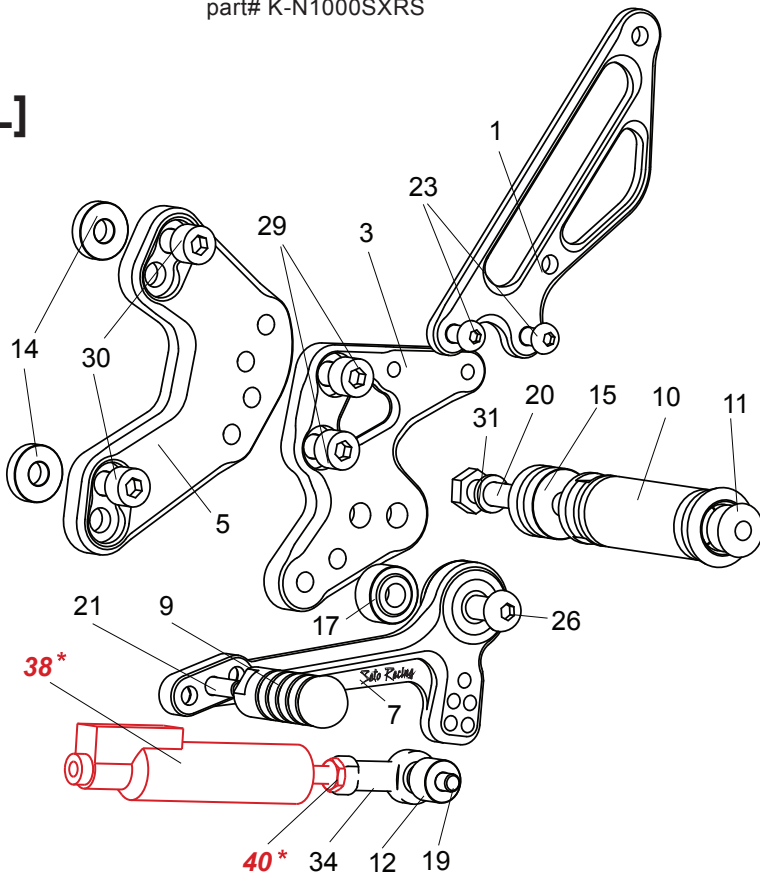
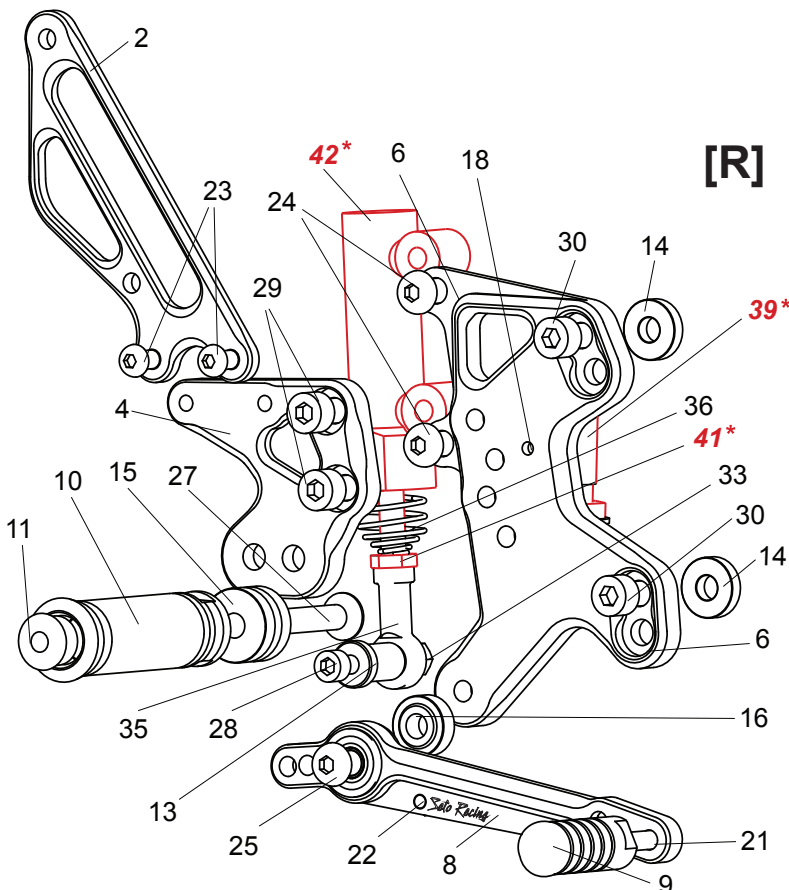


[L]



[R]



1. (L) HEEL GUARD [HG-8L]
2. (R) HEEL GUARD [HG-8R]
3. (L) STEP PLATE [K-N1000SP-L]
4. (R) STEP PLATE [K-N1000SP-R]
5. (L) BASE PLATE [K-N1000SXB-L]
6. (R) BASE PLATE [K-N1000SXB-R]
7. SHIFT PEDAL [SPD-0912]
8. BRAKE PEDAL [BPD-17]
9. PEDAL TIP (DELRIN) [ST-001D18] x 2
10. FOOT PEG [PEG] x 2
11. FOOT PEG END CAP [ST-002] x 2
12. ROD END COLLAR 10(BK) [RDEDCLR-10]
13. ROD END COLLAR 23(BK) [RDEDCLR-23]
14. BASE PLATE COLLAR 5(BK) [BPCLR-5] x 4
15. PEG COLLAR 15 [PEGCLR-15] x 2
16. BEARING COLLAR 7.5(BK) [PEGBGCLR-7.5SB]
17. BEARING COLLAR 10(BK) [PEGBGCLR-10SB]
18. HEX HEAD M5 x 8mm [HBT-M58]
19. HEX HEAD M6 x 30mm [HBT-M630]
20. HEX HEAD M8 x 40mm [HBT-M840]
21. LOW SOCKET HEAD M6 x 20mm [LSBT-M620] x 2
22. BUTTON HEAD M5 x 40mm [BBT-M540]
23. BUTTON HEAD M6 x 10mm [BBT-M610] x 4
24. BUTTON HEAD M8 x 15mm [BBT-M815] x 2
25. BUTTON HEAD M8 x 30mm [BBT-M830]
26. BUTTON HEAD M8 x 35mm [BBT-M835]
27. FLAT HEAD M8 x 40mm [FBT-M40]
28. SOCKET HEAD M6 x 50mm [SBT-M650]
29. SOCKET HEAD M8 x 15mm [SBT-M815] x 4
30. SOCKET HEAD M8 x 25mm [SBT-M825] x 4
31. SPLIT WASHER M8 [SWS-8]
32. NUT M5 [NUT-5]
33. LOCK NUT M6 [LNT-6]
34. FEMALE ROD END M6 [RDED-F6]
35. FEMALE ROD END 6-M8 [RDED-F6-8]
36. RETURN SPRING 40 [RS-RSP]
37. PULL SWITCH STAY 16 [PSTAY-16]

**\* STOCK KAWASAKI PARTS:**

- 38. SHIFTER SWITCH
- 39. PULL SWITCH / SPRING
- 40. NUT M6
- 41. NUT M8
- 42. MASTER CYLINDER

(BACK VIEW)

