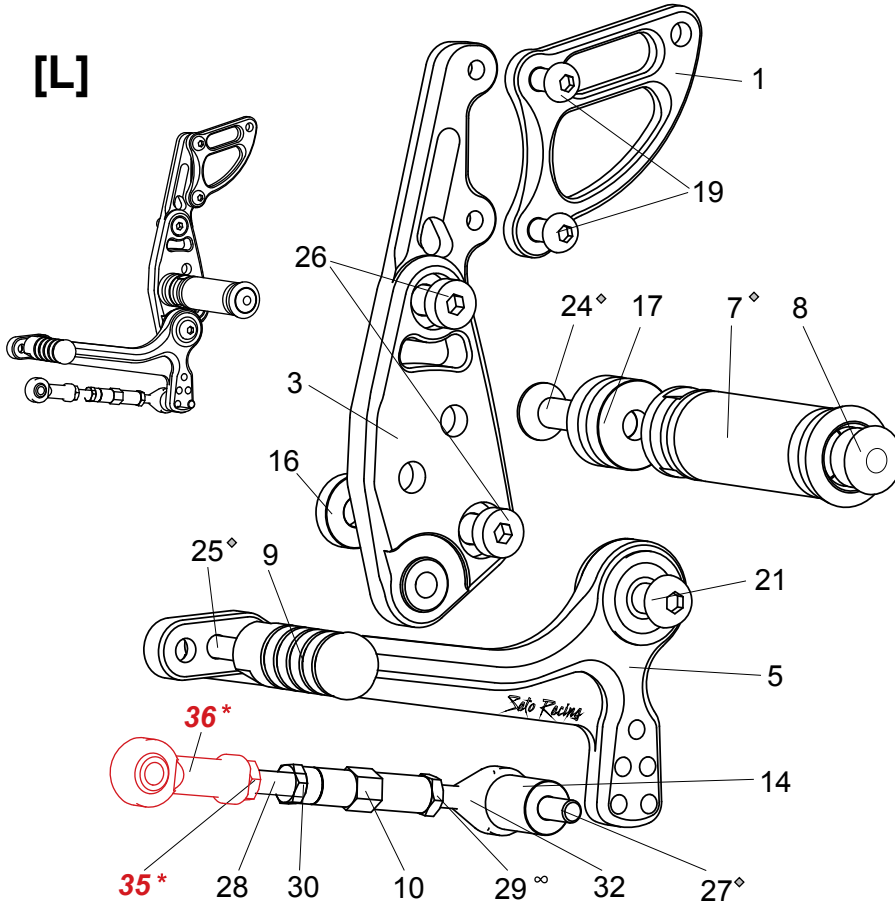
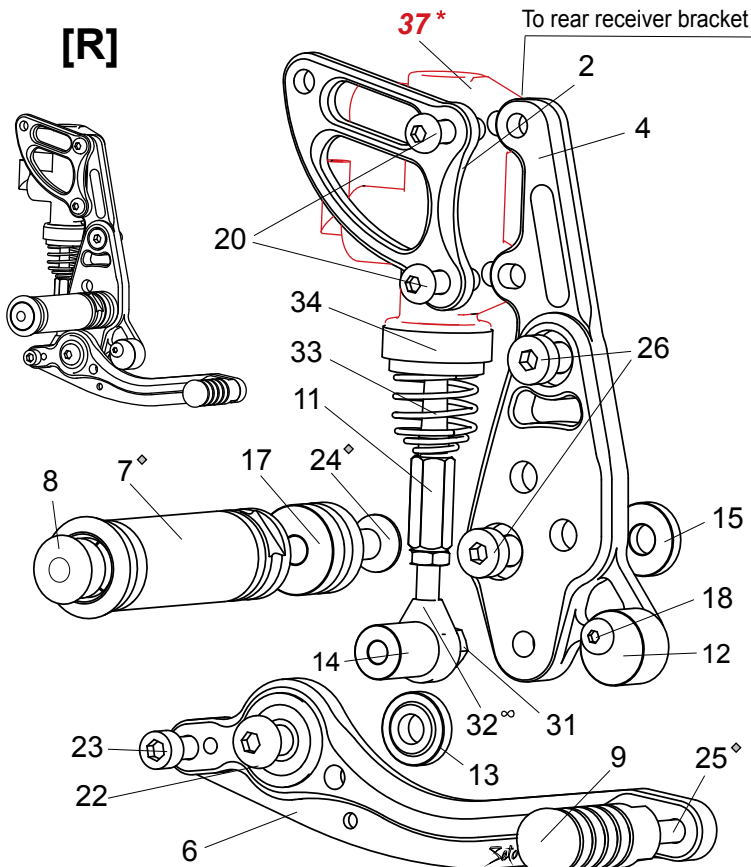


[L]



1. (L) HEEL GUARD [HG-11L]
2. (R) HEEL GUARD [HG-11R]
3. (L) STEP PLATE [IN-FTRSP-L]
4. (R) STEP PLATE [IN-FTRSP-R]
5. SHIFT PEDAL [SPD-0102]
6. BRAKE PEDAL [BP165-30]
7. FOOT PEG [PEG] x 2
8. FOOT PEG END CAP [ST-002] x 2
9. PEDAL TIP (DELRIN) [ST-001D18] x 2
10. SHIFT ROD 40 (BK) [SRD-40B]
11. PUSH ROD 65 [PRD-65]
12. PEDAL STOPPER 12.5 (DELRIN) [BPD-STOPPER]
13. BEARING COLLAR 5 (BK) [PEGBGCLR-5SB]
14. ROD END COLLAR 19 (BK) [RDEDCLR-19] x 2
15. BASE PLATE COLLAR 4 (BK) [BPCLR-4]
16. BASE PLATE COLLAR 5 (BK) [BPCLR-5]
17. PEG COLLAR 15 [PEGCLR-15] x 2
18. BUTTON HEAD M5×20mm [BBT-M520]
19. BUTTON HEAD M6×10mm [BBT-M610] x 2
20. BUTTON HEAD M6×25mm [BBT-M625] x 2
21. BUTTON HEAD M8×25mm [BBT-M825]
22. BUTTON HEAD M8×30mm [BBT-M830]
23. SOCKET HEAD M6×45mm [SBT-M645]
24. FLAT HEAD M8×40mm [FBT-M840] x 2
25. LOW SOCKET HEAD M6×20mm [LSBT-M620] x 2
26. LOW SOCKET HEAD M8×20mm [LSBT-M820] x 4
27. HEX HEAD M6×40mm [HBT-M640]
28. REVERSE STUD M6 [STUD-M6L]
29. JAM NUT M6 [JNT-6] x 2
30. REVERSE JAM NUT M6 [JNT-6L]
31. LOCK NUT M6 [LNT-6]
32. MALE ROD END M6 [RDED-M6] x 2
33. RETURN SPRING 40 [RS-RSP]
34. RETURN SPRING COLLAR [RS-RSCLR]

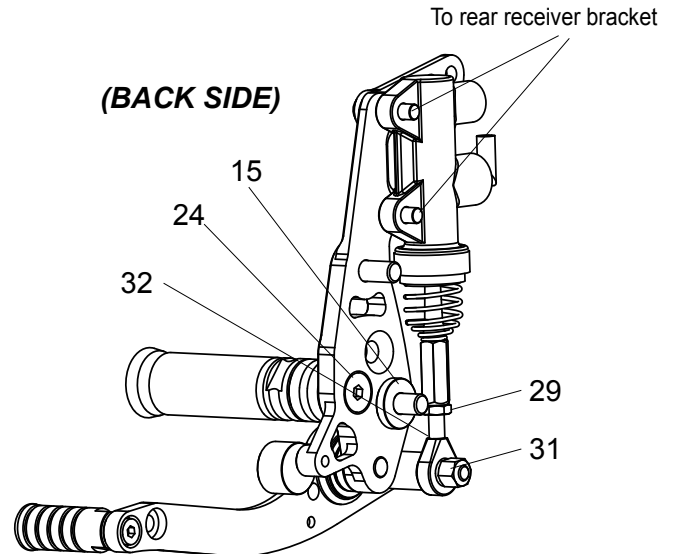
[R]



**\* STOCK INDIAN PARTS:**

- 35. NUT
- 36. REVERSE FEMALE ROD END
- 37. MASTER CYLINDER

(BACK SIDE)



◇ Apply threadlocker (Loctite, Vibra Tite or similar) before final tightening.  
(Factory pre-tightened parts have already been Loctited.)

∞ Clean and lubricate rod end ball joints periodically.