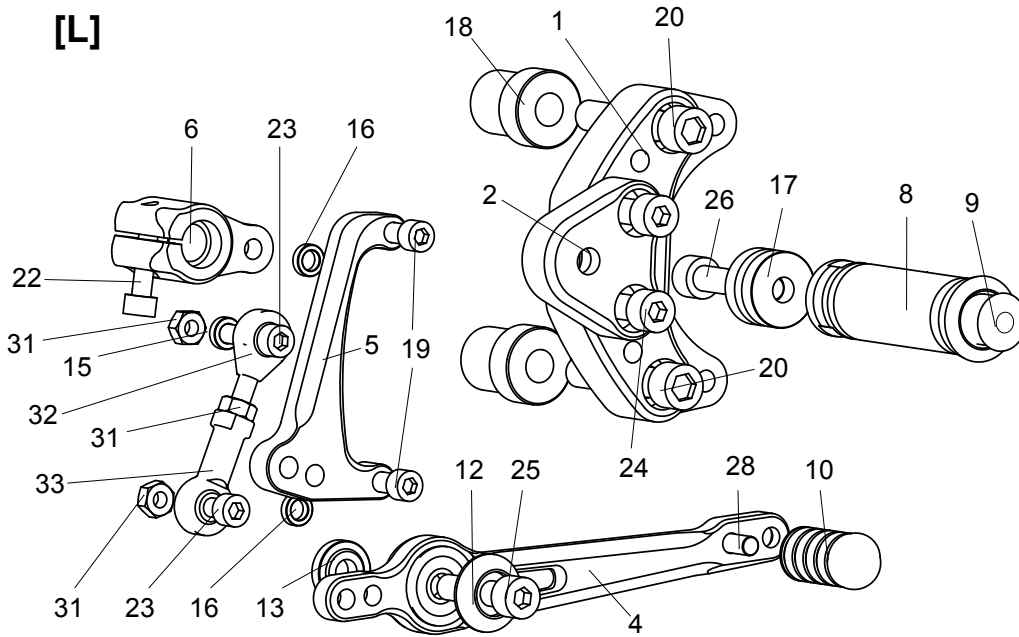


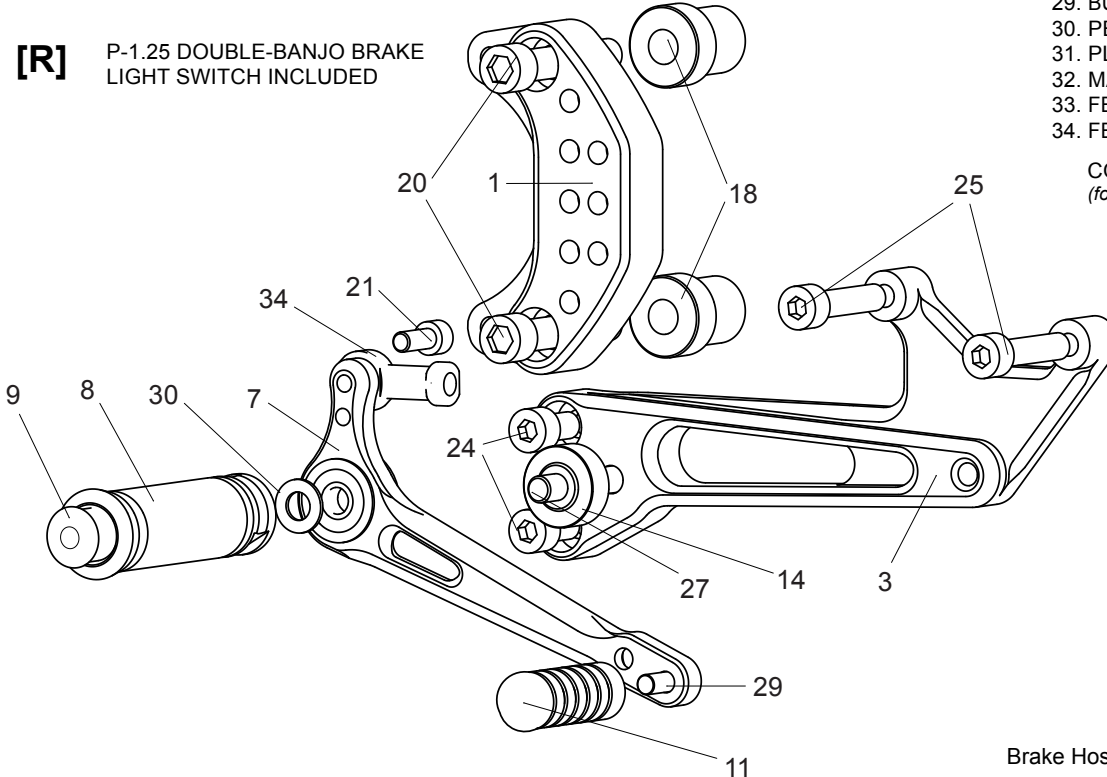
[L]



1. BASE PLATE (BK) [HD-SSTR14BP] x 2
2. (L) STEP PLATE [HD-SSTR14SP-L]
3. (R) STEP PLATE [HD-SSTR14SP-R]
4. SHIFT PEDAL [SPD-104]
5. SHIFT BASE [SB-HDSSTR14]
6. SHIFT ARM HD [CA-HD]
7. BRAKE PEDAL [BPD-104]
8. FOOT PEG [PEG] (Includes End Cap) x 2
9. FOOT PEG END CAP [ST-002] x 2
10. PEDAL TIP -SHORT (DELRIN) [ST-001DS]
11. PEDAL TIP (DELRIN) [ST-001D18]
12. BEARING BOLT COVER [BGBCR]
13. BEARING COLLAR M8-5 [PEGBGCLR-5SB]
14. BEARING COLLAR 10 [PEGBGCLR-10]
15. ROD END COLLAR 3 (GD) [RDED-CLR3]
16. COLLAR 3-2 [CLR-3-2SSTR04] x 2
17. PEG COLLAR 15 [PEGCLR-15]
18. COLLAR 30-10 [CLR-30-10V] x 4
19. BOLT 1/4-20 1" [INBT-1/4-1] x 2
20. BOLT 3/8-16 2" [INBT-3/8-2] x 4
21. SOCKET HEAD M6x15mm* [SBT-M615]
22. SOCKET HEAD M6x20mm [SBT-M620]
23. SOCKET HEAD M6x25mm [SBT-M625] x 2
24. SOCKET HEAD M8x15mm [SBT-M815] x 4
25. SOCKET HEAD M8x35mm [SBT-M835] x 3
26. SOCKET HEAD M8x40mm [SBT-M840]
27. SOCKET HEAD M8x45mm [SBT-M845]
28. BUTTON HEAD M6x15mm [BBT-M615]
29. BUTTON HEAD M6x20mm [BBT-M620]
30. PEG WASHER M8 [PWS-8]
31. PLAIN NUT M6 [NUT-6] x 3
32. MALE ROD END M6 [RDED-M6]
33. FEMALE ROD END M6 [RDED-F6]
34. FEMALE ROD END 6-M8 [RDED-F6-8]

[R]

P-1.25 DOUBLE-BANJO BRAKE
LIGHT SWITCH INCLUDED



COLLAR 10 (BK)
(for master cylinder - not pictured)

