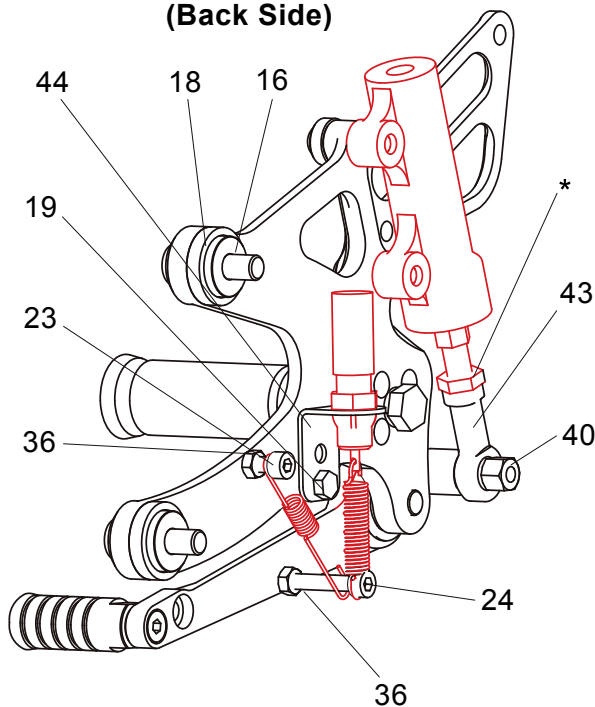


POSITIONS		
1	40mm Back	50mm Up
2	40mm Back	65mm Up
3	47.5mm Back	57.5mm Up
4	55mm Back	65mm Up

Note: All positions are in relation to the stock foot peg position

(Back Side)



- 2. [R] HEEL GUARD [HG-1R]
- 4. [R] STEP PLATE [H-CBR513SP-R]
- 8. BRAKE PEDAL [BPD-19]
- 9. FOOT PEG [PEG]
- 10. FOOT PEG END CAP (DELRIN) [ST-002]
- 11. PEDAL TIP (DELRIN) [ST-001D18]
- 15. ROD END COLLAR 15 (BK) [RDEDCLR-15]
- 16. BASE PLATE COLLAR 8 (BK) [BPCLR-8] x 2
- 17. PEG COLLAR 15 [PEGCLR-15]
- 18. URETHANE RING [W252005] x 2
- 19. HEX HEAD M5x8mm [HBT-M58]
- 22. HEX HEAD M8x40mm [HBT-M840]
- 23. SOCKET HEAD M5x15mm [SBT-M515]
- 24. SOCKET HEAD M5x30mm [SBT-M530]
- 25. SOCKET HEAD M6x40mm [SBT-M640]
- 26. SOCKET HEAD M8x25mm [SBT-M825] x 2
- 28. LOW SOCKET HEAD M6x20mm [LSBT-M620]
- 29. BUTTON HEAD M6x10mm [BBT-M610]
- 30. BUTTON HEAD M6x25mm [BBT-M625] x 2
- 31. BUTTON HEAD M8x25mm [BBT-M825]
- 34. PEG WASHER M8 [PWS-8]
- 35. SPLIT WASHER M8 [SWS-8]
- 36. NUT M5 [NUT-5] x 2
- 40. LOCK NUT M6 [LNT-6]
- 43. FEMALE ROD END M6-8 [RDED-F6-8]
- 44. PULL SWITCH STAY 14 [PSTAY-14]
- 45. UNIVERSAL BRACKET M6x75(SV) [UB-M675-S]

* Use stock nut