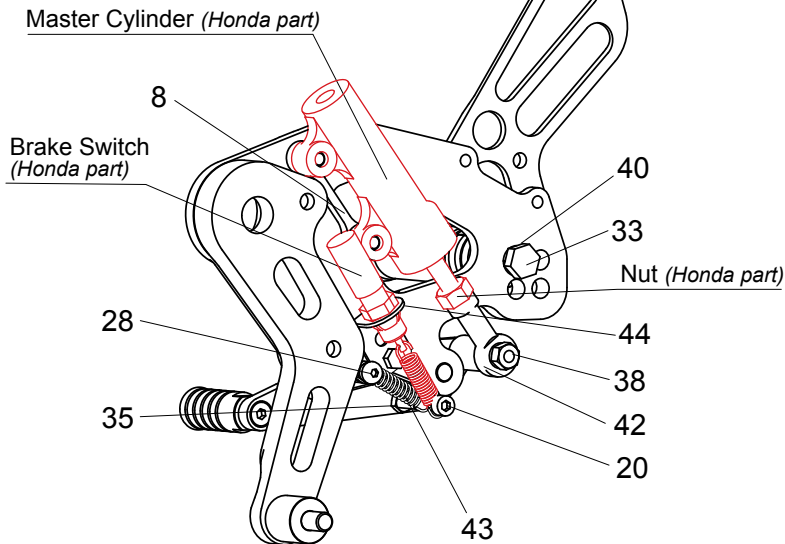


POSITIONS		
1	55mm Back	35mm Up
2	55mm Back	47mm Up
3	67mm Back	35mm Up
4	67mm Back	47mm Up

All measurements are in relation to the stock foot peg position (0mm).

(BACK SIDE)



2. [R] HEEL GUARD [HG-6R]
4. [R] STEP PLATE [H-CB25018SP-R]
7. [R] BASE PLATE (BK) [H-CB25018BP-R]
8. STAY (BK) [STAY-L45-6]
10. BRAKE PEDAL [BPD-SSBP195]
12. FOOT PEG [PEG]
13. FOOT PEG END CAP [ST-002]
14. PEDAL TIP (DELRIN) [ST-001D18]
16. ROD END COLLAR 22 (BK) [RDED-CLR22]
18. BASE PLATE COLLAR 20 (BK) [BPCLR-20]
19. FOOT PEG COLLAR 15 [PEGCLR-15]
20. SOCKET HEAD M5x35mm [SBT-M535]
21. SOCKET HEAD M6x20mm [SBT-M620] x 2
22. SOCKET HEAD M6x45mm [SBT-M645]
23. SOCKET HEAD M8x15mm [SBT-M815] x 2
25. SOCKET HEAD M8x40mm [SBT-M840]
26. LOW SOCKET HEAD M6x20mm [LSBT-M620]
28. BUTTON HEAD M5x15mm [BBT-M515]
29. BUTTON HEAD M6x10mm [BBT-M610] x 2
30. BUTTON HEAD M8x25mm [BBT-M825]
31. HEX HEAD M5x8mm [HBT-M58]
33. HEX HEAD M8x40mm [HBT-M840]
35. NUT M5 [NUT-5] x 2
38. LOCK NUT M6 [LNT-6]
40. SPLIT WASHER M8 [SWS-8]
42. FEMALE ROD END M6-8 [RDED-F6-8]
43. RETURN SPRING 8-25 [RS-RSP8-25]
44. PULL SWITCH STAY 14 [PSTAY-14]