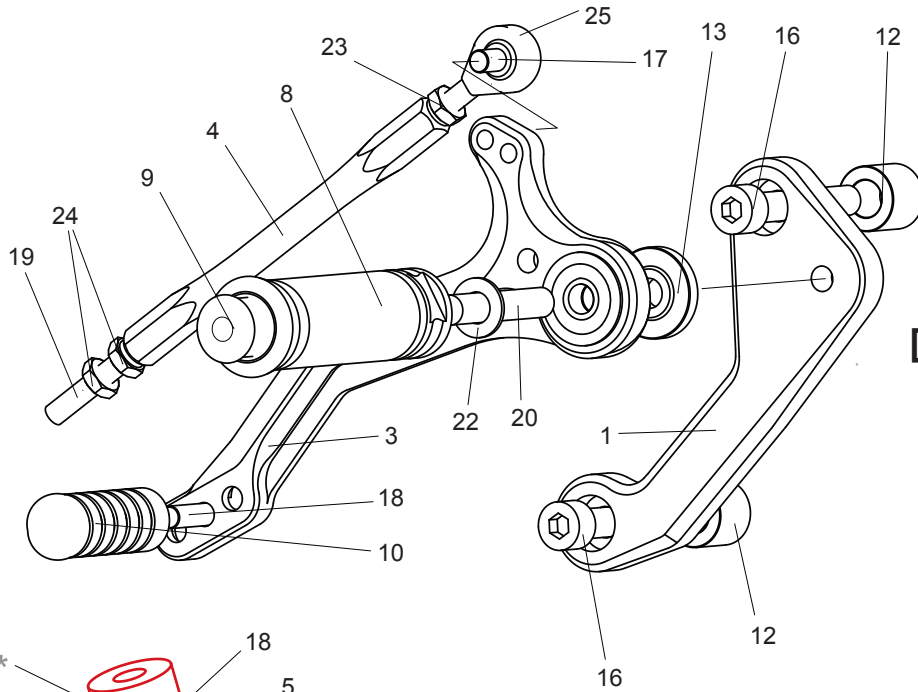
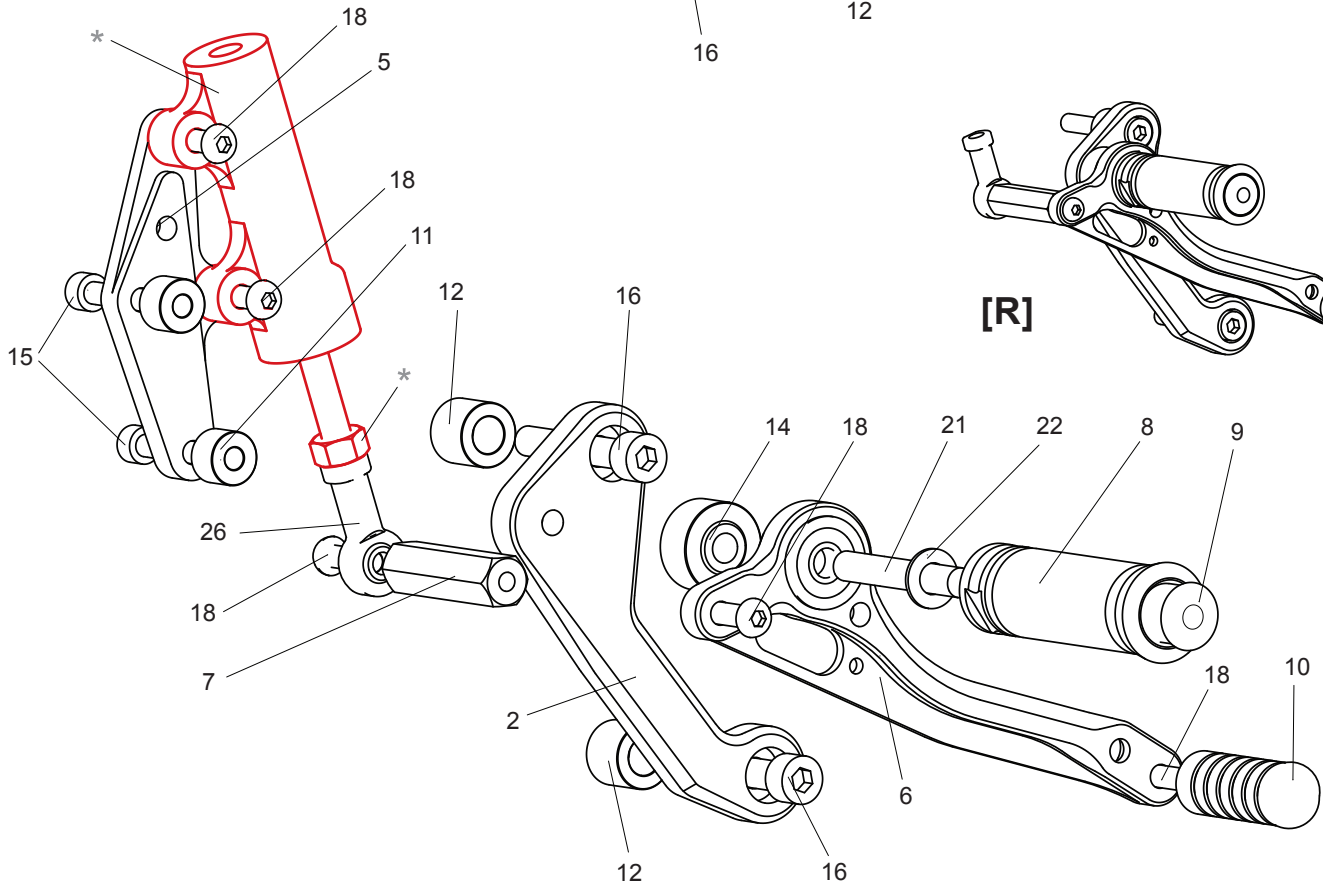
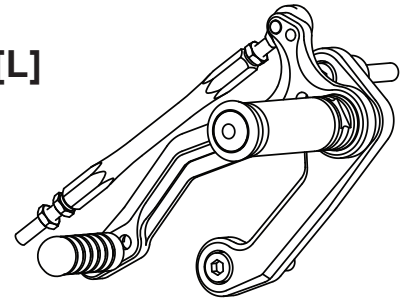


HONDA CB1100 (-'16) REAR SETS (part# H-CB1100RS)



[L]



[R]

1. (L) STEP PLATE [H-CB1100SP-L]
2. (R) STEP PLATE [H-CB1100SP-R]
3. SHIFT PEDAL [SPD-5]
4. SHIFT ROD 120 (BK) [SRD-120B]
5. MASTER STAY (BK) [H-CB1100MS]
6. BRAKE PEDAL [BPD-7]
7. COLLAR 50 (BK) [CLR-50-6H]
8. FOOT PEG [PEG] x 2
9. FOOT PEG END CAP [ST-002] x 2
10. PEDAL TIP (DELRIN) x 2
[ST-001D / T-001D18]

11. COLLAR 10-6 (BK) [HGCLR-10] x 2
12. COLLAR 15-10 (BK) [BPCLR15-10] x 4
13. BEARING COLLAR 5 (BK) [PEGBGCLR-5B]
14. BEARING COLLAR 12.5 (BK) [PEGBGCLR-125B]
15. SOCKET HEAD M6 x 30mm [SBT-M630] x 2
16. SOCKET HEAD M8 x 50mm [SBT-M850] x 4
17. BUTTON HEAD M6 x 18mm [BBT-M618]
18. BUTTON HEAD M6 x 20mm [BBT-M620] x 6
19. REVERSE STUD M6 [STUD-M6L]
20. STUD BOLT M8 x 45mm [STBT-45]

21. STUD BOLT M8 x 55mm [STBT-S]
22. PEG WASHER M8 [PWS-8] x 2
23. JAM NUT M6 [JNT-6]
24. REVERSE JAM NUT M6 [JNT-6L] x 2
25. MALE ROD END M6 [RDED-M6]
26. FEMALE ROD END 6-M8 [RDED-F6-8]

- BRAKE LIGHT SWITCH P-1.25 [BSW-125]
(not pictured)

*STOCK HONDA PARTS