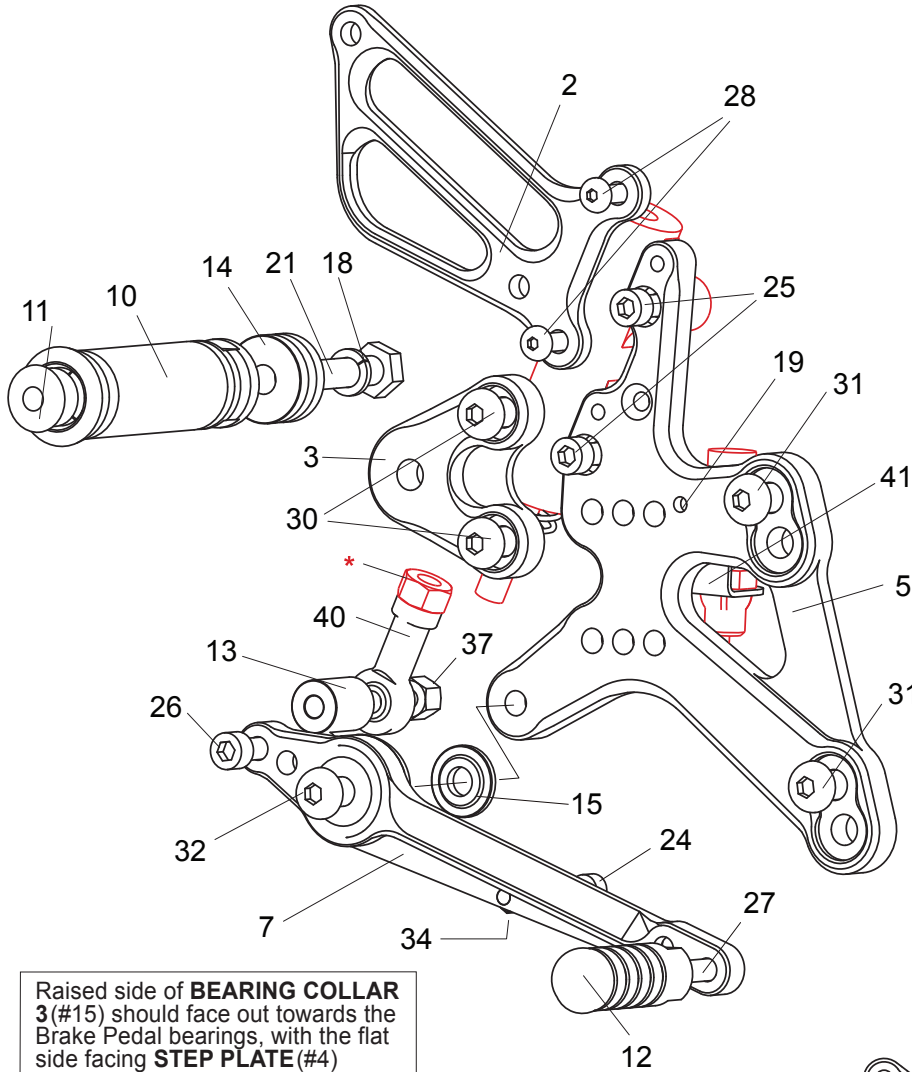


# HONDA CBR650R / CB650R '19- REVERSE SHIFT REAR SETS

(for Honda quickshifter) part# H-65019RSR

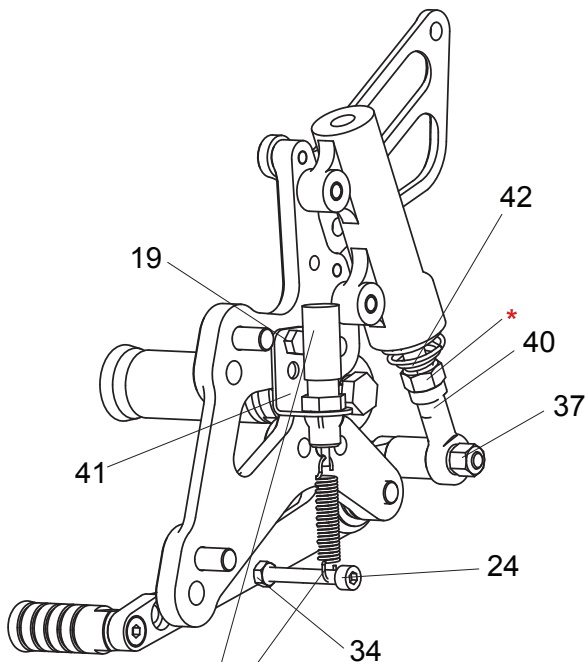
[R]-SIDE



- 2. (R) HEEL GUARD [HG-1R]
- 3. (R) STEP PLATE [S-GSX105SP-L]
- 5. (R) BASE PLATE (BK) [H-650BP-R]
- 7. BRAKE PEDAL [BPD-19]
- 10. FOOT PEG [PEG]
- 11. FOOT PEG END CAP [ST-002]
- 12. PEDAL TIP (DELRIN) [ST-001D18]
- 13. ROD END COLLAR 19 (BK) [RDED-CLR19]
- 14. PEG COLLAR 12 [PEGCLR-12]
- 15. BEARING COLLAR 3 (BK) [PEBGCLR-3SB]
- 18. SPLIT WASHER M8 [SWS-8]
- 19. HEX HEAD M5x8mm [HBT-M58]
- 21. HEX HEAD M8x40mm [HBT-M840]
- 24. SOCKET HEAD M5x40mm [SBT-M540]
- 25. SOCKET HEAD M6x15mm [SBT-M615] x 2
- 26. SOCKET HEAD M6x45mm [SBT-M845]
- 27. LOW SOCKET HEAD M6x20mm [LSBT-M620]
- 28. BUTTON HEAD M5x15mm [BBT-M515] x 2
- 30. BUTTON HEAD M8x15mm [BBT-M815] x 2
- 31. BUTTON HEAD M8x20mm [BBT-M820] x 2
- 32. BUTTON HEAD M8x30mm [BBT-M830]
- 34. NUT M5 [NUT-5]
- 37. LOCK NUT M6 [LNT-6]
- 40. FEMALE ROD END M6-8 [RDED-F6-8]
- 41. PULL SWITCH STAY 14 [PSTAY-14]
- 42. RETURN SPRING 20 [RS-RSP]

\* NUT (STOCK HONDA PART)

Raised side of **BEARING COLLAR 3** (#15) should face out towards the Brake Pedal bearings, with the flat side facing **STEP PLATE** (#4)



attach stock  
pull switch / spring

