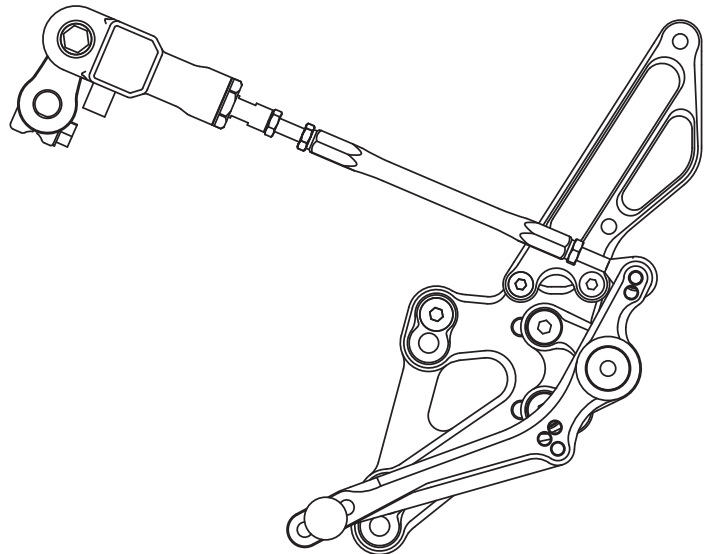


1. (L) HEEL GUARD [HG-8L]
3. (L) STEP PLATE [S-GSX105SP-L]
4. (L) BASE PLATE (BK) [H-650BP-L]
6. SHIFT PEDAL [SPD-023]
8. SHIFT ROD 120 (BK) [SRD-120B]
9. SHIFT ARM (BK) [CA-15]
10. FOOT PEG [PEG]
11. FOOT PEG END CAP [ST-002]
12. PEDAL TIP (DELRIN) [ST-001D18]
16. PEG BEARING COLLAR 10 [PEGBGCLR-10]
17. PEG WASHER M8 [PWS-8]
20. HEX HEAD M6x18mm [HBT-M618]
22. FLANGE HEAD M6x20mm [FGBT-M620]
23. STUD BOLT M8x60mm [STBT-60]
27. LOW SOCKET HEAD M6x20mm [LSBT-M620]
29. BUTTON HEAD M6x10mm [BBT-M610] x 2
30. BUTTON HEAD M8x15mm [BBT-M815] x 2
31. BUTTON HEAD M8x20mm [BBT-M820] x 2
33. REVERSE STUD M6 [STUD-M6L]
35. JAM NUT M6 [JNT-6]
36. REVERSE JAM NUT M6 [JNT-6L] x 2
38. FLANGE LOCK NUT M8 [FLNT-8]
39. MALE ROD END M6 [RDED-M6]

Flat side of **PEG WASHER M8 (#17)** should face **FOOT PEG (#10)**, with the rounded side facing in toward the Shift Pedal bearings.

Raised side of **PEG BEARING COLLAR 10 (#16)** should face out towards the Shift Pedal bearings, with the flat side facing the **STEP PLATE (#3)**



*** STOCK HONDA PARTS:**

- 43. SHIFTER SWITCH**
- 44. SPACER**
- 45. NUT**
- 46. FLANGE BOLT**