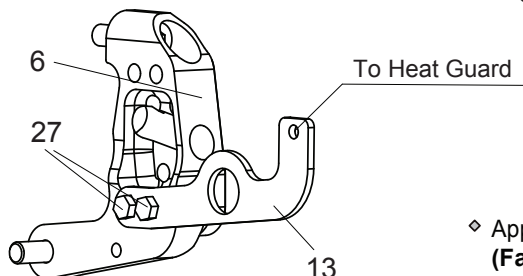
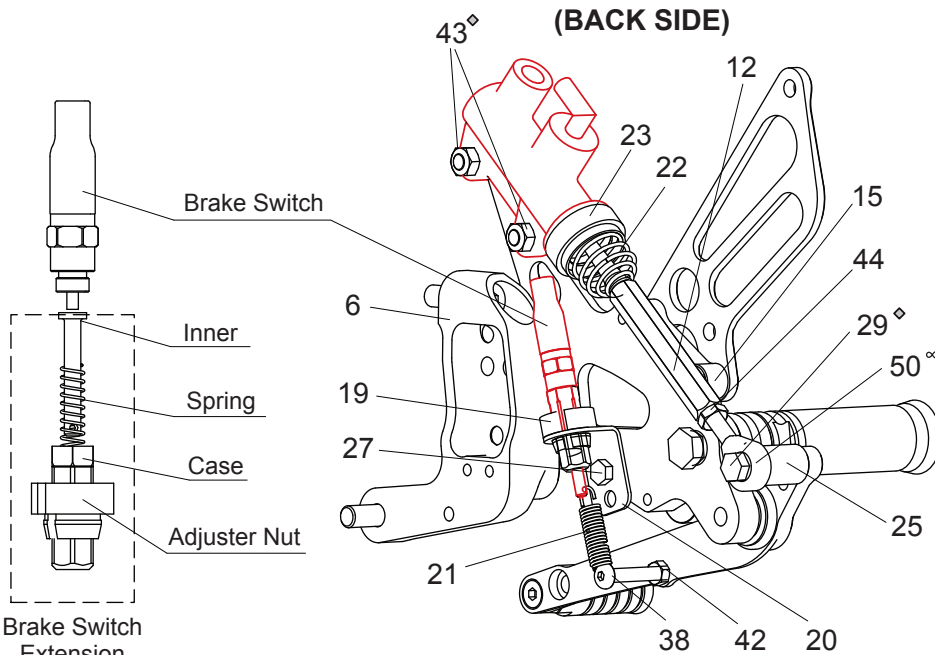


(BACK SIDE)



- 2. (R) HEEL GUARD [HG-6R]
- 4. (R) STEP PLATE [D-V418SP-R]
- 6. (R) BASE PLATE [D-V418BP-R]
- 11. BRAKE PEDAL [BPD-BP205]
- 12. PUSH ROD 105 [PRD-105]
- 13. HEAT GUARD BRACKET (SV)
- 14. MASTER STAY (5mm) (BK)
- 15. HEEL GUARD STAY (10mm) (BK)
- 16. FOOT PEG [PEG]
- 17. FOOT PEG END CAP [ST-002]
- 18. PEDAL TIP (DELRIN) [ST-001D18]
- 19. BRAKE SWITCH EXTENSION
- 20. PULL SWITCH STAY 14 [PSTAY-14]
- 21. SPRING 8-35 [RS-RSP835]
- 22. RETURN SPRING 20 [RS-RSP2]
- 23. RETURN SPRING COLLAR [RS-RSCLR]
- 24. PEDAL STOPPER 12.5 (DELRIN)
- 25. ROD END COLLAR 19 [RDEDCLR-19]
- 26. PEG COLLAR 15 [PEGCLR-15]
- 27. HEX HEAD M5x8mm [HBT-M58] x 3
- 29. HEX HEAD M6x35mm [HBT-M635]
- 30. HEX HEAD M8x40mm [HBT-M840]
- 32. SOCKET HEAD M8x15mm [SBT-M815] x 2
- 33. SOCKET HEAD M8x20mm [SBT-M820]
- 34. SOCKET HEAD M8x25mm [SBT-M825]
- 35. LOW SOCKET HEAD M6x20mm [LSBT-M620]
- 37. BUTTON HEAD M5x20mm [BBT-M520] x 3
- 38. BUTTON HEAD M5x30mm [BBT-M530]
- 39. BUTTON HEAD M6x25mm [BBT-M625] x 2
- 40. BUTTON HEAD M8x25mm [BBT-M825]
- 42. NUT M5 [NUT-5]
- 43. NUT M6 [NUT-6] x 2
- 44. JAM NUT M6 [JNT-6]
- 49. SPLIT WASHER M8 [SWS-8]
- 50. MALE ROD END M6 [RDED-M6]

◆ Apply threadlocker (Loctite, Vibra Tite or similar) to these bolts before tightening.
(Factory pre-tightened parts have already been Loctited).

◇ Clean and lubricate rod end ball joints periodically.