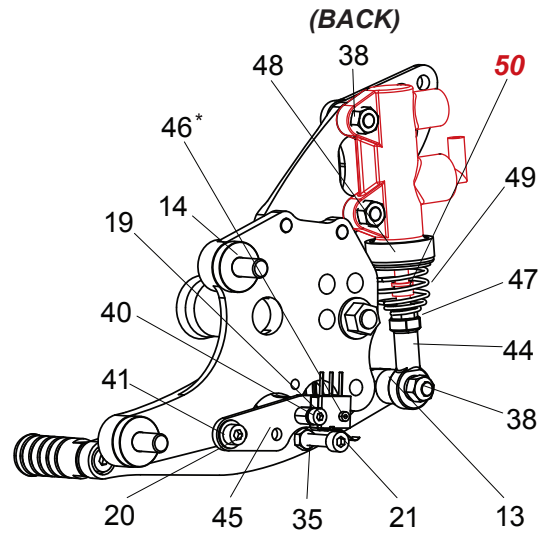
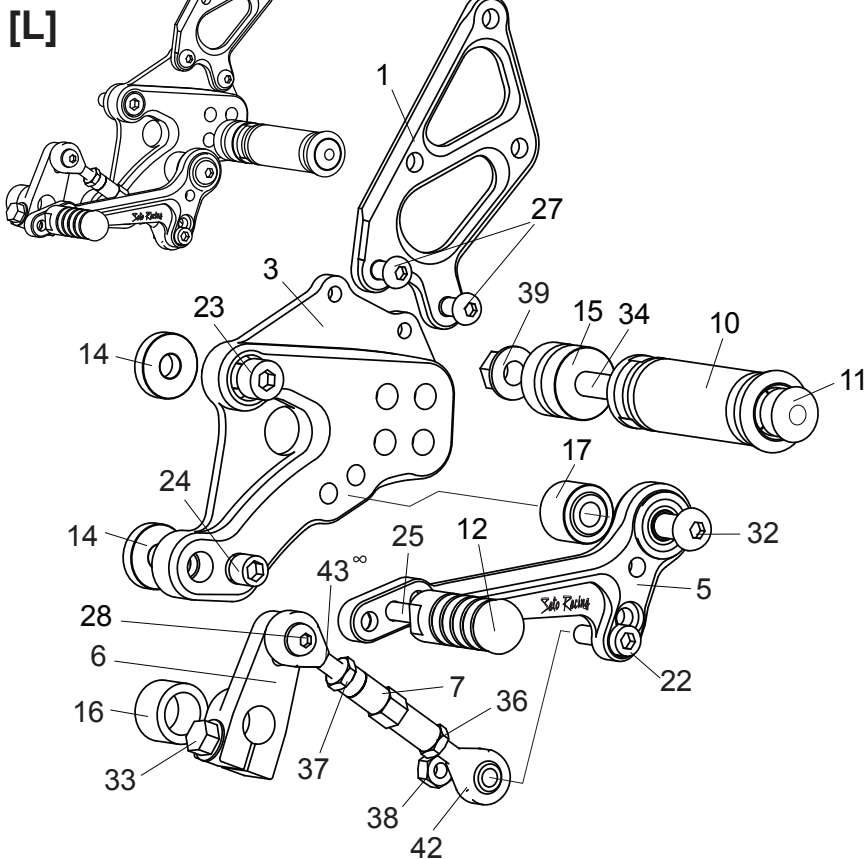
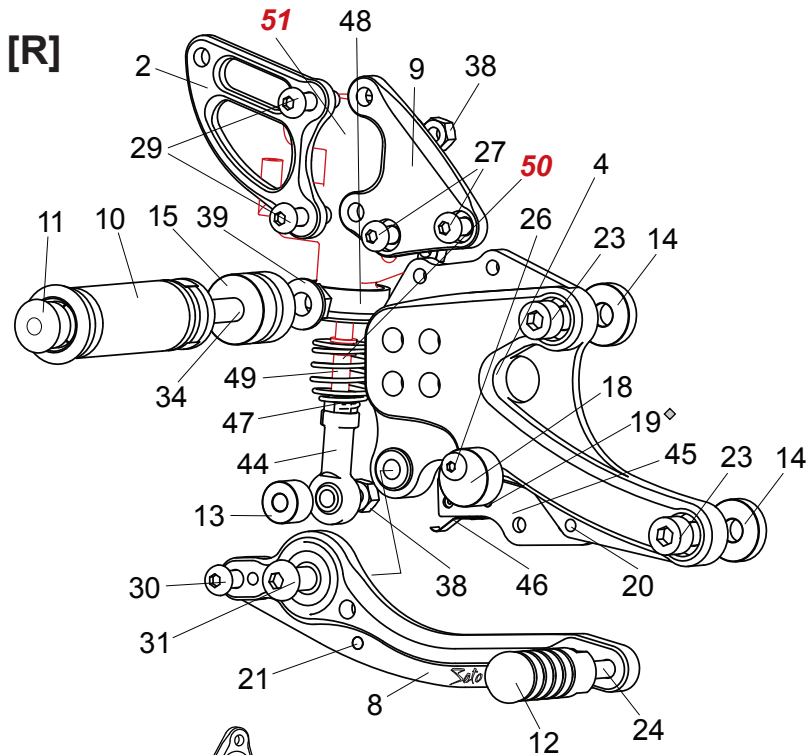


BMW RnineT ('14-'16)
REAR SETS (design v.2)
part# BMW-R9T14RS



1. (L) HEEL GUARD [HG-19L]
2. (R) HEEL GUARD [HG-22R]
3. (L) STEP PLATE [BMW-R9TPSP-L]
4. (R) STEP PLATE [BMW-R9T17SP-R]
5. SHIFT PEDAL [SPD-SCP55]
6. SHIFT ARM (BK) [CA-7]
7. SHIFT ROD 40 (BK) [SRD-40B]
8. BRAKE PEDAL [BPD-165-30]
9. MASTER STAY [BMW-R9TRAMS]
10. FOOT PEG [PEG] x 2
11. FOOT PEG END CAP [ST-002] x 2
12. PEDAL TIP (DELRIN) [ST-001D18] x 2
13. ROD END COLLAR 10 (BK) [RDED-CLR10]
14. BASE PLATE COLLAR 5 (BK) [BPCLR-5] x 4
15. PEG COLLAR 20 [PEGCLR-20] x 2
16. SHIFT SPINDLE SPACER (BK) [CLR-KR122014P]
17. BEARING COLLAR 15 (BK) [PEGBGCLR-15SB]
18. PEDAL STOPPER 10 (DELRIN) [BPD-STOPPER-10]
19. SOCKET HEAD M4 x 12mm [SBT-M412]
20. SOCKET HEAD M5 x 10mm [SBT-M510]
21. SOCKET HEAD M5 x 25mm [SBT-M525]
22. SOCKET HEAD M6 x 22mm [SBT-M622]
23. SOCKET HEAD M8 x 25mm [SBT-M825] x 3
24. NARROW SOCKET HEAD M8 x 25mm [SBT-M825S]
25. LOW SOCKET HEAD M6 x 20mm [LSBT-M620] x 2
26. BUTTON HEAD M5 x 20mm [BBT-M520]
27. BUTTON HEAD M6 x 10mm [BBT-M610] x 4
28. BUTTON HEAD M6 x 18mm [BBT-M618]
29. BUTTON HEAD M6 x 25mm [BBT-M625] x 2
30. BUTTON HEAD M6 x 35mm [BBT-M635]
31. BUTTON HEAD M8 x 25mm [BBT-M825]
32. BUTTON HEAD M8 x 40mm [BBT-M840]
33. FLANGE HEAD M6 x 20mm [FGBT-M620]
34. STUD BOLT M8 x 55mm [STBT-55] x 2
35. NUT M5 [NUT-5]
36. JAM NUT M6 [JNT-6]
37. REVERSE JAM NUT M6 [JNT-6L]
38. LOCK NUT M6 [LNT-6] x 4
39. FLANGE NUT M8 [FNT-6] x 2
40. SPLIT WASHER M4 [SWS-4]
41. WASHER M5 [WS-5]
42. MALE ROD END M6 [RDED-M6]
43. REVERSE MALE ROD END M6 [RDED-M6L]
44. FEMALE ROD END M6 [RDED-F6]
45. SWITCH BASE (SV) [BSW-BMW11]
46. MICROSWITCH [BSW-MSWR9T21]
47. SPRING SEAT M6 [NUT-SPS6]
48. RETURN SPRING COLLAR b [RS-RSCLR2]
49. RETURN SPRING 20 [RS-RSP2]
- 50. ROD (BMW PART)**
- 51. MASTER CYLINDER (BMW PART)**

STUD M6x70 (not pictured)
(fits at stock Shift Selector Rod,
use for stock shift pattern)