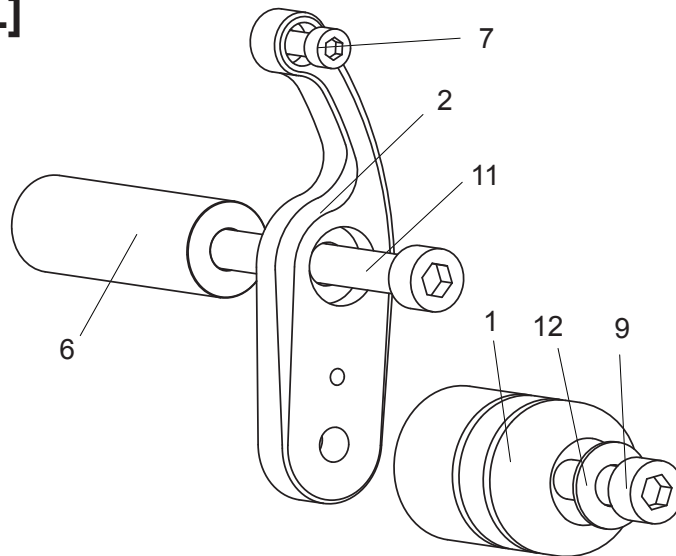
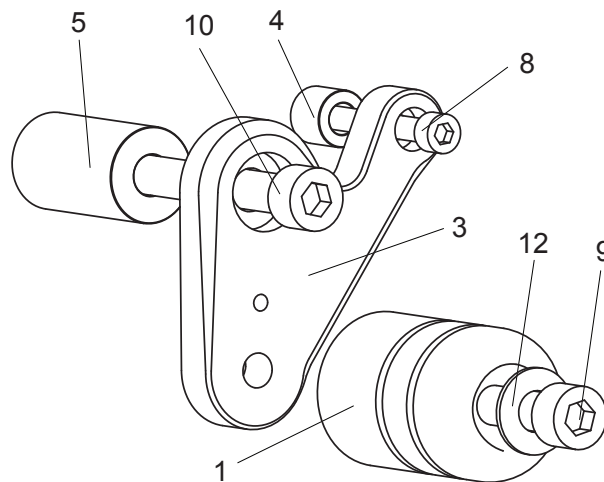


**[L]**



**[R]**



1. SLIDER PUCK [SDR-L10MFJ] x 2
2. [L] SLIDER BASE [SDRB-K25018FS-L]
3. [R] SLIDER BASE [SDRB-K25018FS-R]
4. COLLAR 13-8 (BK) [CLR-13-8]
5. COLLAR 45-10 (BK) [CLR-45-10]
6. COLLAR 80-10 (BK) [CLR-80-10]
7. SOCKET HEAD M6 x 15mm [SBT-M615]
8. SOCKET HEAD M6 x 45mm [SBT-M645]
9. SOCKET HEAD M10 x 30mm (P-1.25) [SBT-M1030] x 2
10. SOCKET HEAD M10 x 90mm (P-1.25) [SBT-M1090]
11. SOCKET HEAD M10 x 130mm (P-1.25) [SBT-M10130]
12. WASHER M10 [WS-10] x 2